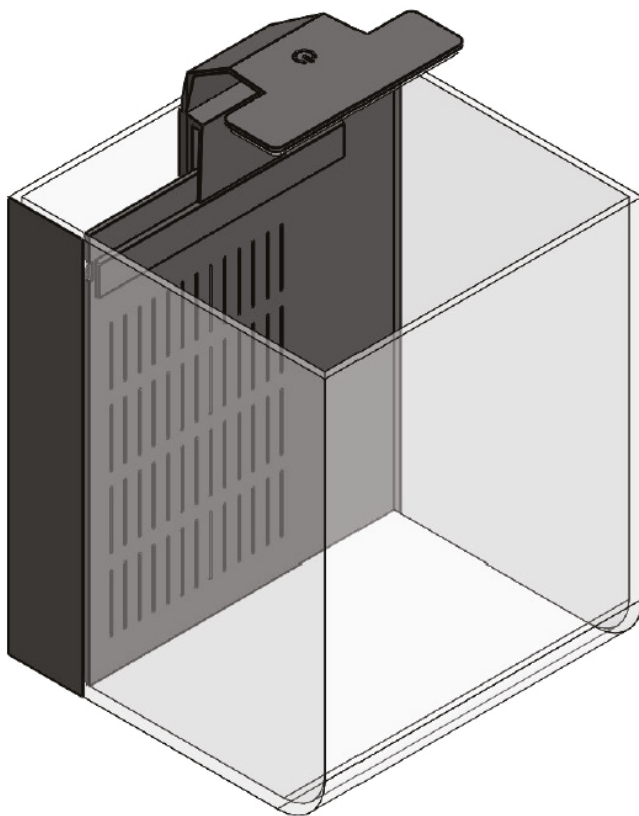




# ALL-IN-ONE JELLYFISH AQUARIUM

**USER GUIDE**



Thank you for buying this Exotic Aquaculture All-In-One Jellyfish Aquarium.

It has been carefully designed to offer many years of reliable service when set up and maintained following these instructions and we hope it provides much pleasure and enjoyment wherever it is located.

**These instructions should be read in full and followed before installing, running, or adding any live animals to your aquarium.**

For best results, we recommend using this manual combined with the 'Jellyfish Husbandry Guide' which can be downloaded from [www.exotic-aqua.com/downloads](http://www.exotic-aqua.com/downloads).

### **BEFORE ASSEMBLY**

The aquarium and all components should be carefully removed from its packaging and inspected to ensure there has been no damage while in transit. If damage is evident, you should contact your dealer as soon as possible before setting up the aquarium.

#### **Your aquarium package includes the following:**

- 1x EA AIO jellyfish aquarium
- 1x LED light
- 1x Flow adjustable water pump
- 1x Silicon hose
- 1x USB adaptor
- 1x Bag of filtration media
- 2x Filter sponges with small and large holes
- 1x Instruction manual

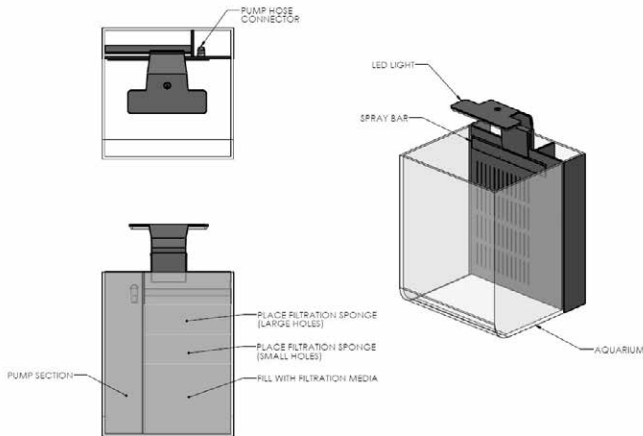
#### **Accessories included (for starter set):**

- 1x Feeding baster
- 1x Fine mesh net
- 1x Swing hydrometer
- 1x 500g of Jellyfish Sea Salt
- 1x Bacteria starter

EA AIO Jellyfish Aquarium has been carefully developed and through rigorous testing to ensure that it offers the best conditions and caters for the very specific needs of jellyfish.

### IMPORTANT

- Under no circumstances should:
  - a. power be supplied to the aquarium prior to it being filled with appropriate water and the circulation pump submerged. Failure to do so may result in severe damage to the pump and invalidate warranties.
  - b. any form of media, substrate or decoration be added to the main display chamber.
- When filled and operating, the aquarium will weigh approximately 10kg (S-size) and 18kg (L-size). It should therefore be placed on a flat level surface of sturdy construction capable of supporting the weight of aquariums and withstanding accidental contact.
- The aquarium should be positioned out of the reach of young children and away from direct sunlight that may induce excessive algal growth and overheating of the water which can result in stress and damage to any livestock present.



### SECTION 1. INITIAL SET UP

1. Open the bag of filtration media, rinse them in water to remove excess debris, and pour them gently into the filtration section in the back of the aquarium.
2. Rinse the filter sponges, and add one with small holes on the filtration media, and the other one with large holes on top of it.
3. Attach the silicon hose to the pump and the other end to the pump hose connector, place the pump into the pump section.
4. Add the aquarium with suitable water until the filtration section becomes half full.
  - a. To speed up the cycle of water conditioning, we recommend adding some bacteria starter which is available at local aquarium shops.
 

***Why?** To increase the amount of waste-eating bacteria to levels where they can sustain the high water quality needed for your jellyfish.*
5. Fit the LED light securely.
6. Connect the LED light and pump to the USB adaptor, and plug it in.

## SECTION 2. SALT WATER

The use of tap water is not recommended as it may contain excess pollutants or high concentrations of Chlorine and other contaminants which may be harmful to the aquarium inhabitants.

We highly recommend the use of natural seawater or Reverse Osmosis/distilled water mixed with a good quality aquarium salt when keeping jellyfish. Reverse Osmosis or distilled water should also be used when replacing water that has evaporated from the tank.

## SECTION 3. MATURING THE AQUARIUM AND ADJUSTING FLOW RATES

### Water Maturity

Jellyfish are highly sensitive to freshly mixed salt water and water maturity is very important.

- a. If using fresh mixed salt water and/or artificial media that require maturation, then the aquarium should be left to run for two weeks prior to the addition of any livestock.  
*Why? The settling period allows the water to 'age' and stabilise chemically, and for the bacterial colonies to establish on and within the media.*
- b. If using fresh mixed water with a pre-matured biologically active filter (live rock rubble) then the settling period can be reduced to 1 week.

### Flow Rate

Once livestock is added, the flow rate should be adjusted. This can be done by the pump speed controller. In most cases, the low setting on the pump speed controller is suitable for most of the jellyfish.

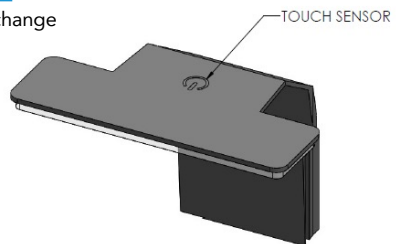
For best results with Jellyfish, the flow rate should be such that the animals are very gently circulated around the aquarium at a rate no more than that required to prevent the jellyfish from settling out on the bottom. This rate of flow will also help keep food suspended in the water column where the jellyfish can feed effectively.

**Please read the 'Jellyfish Husbandry Guide' which can be downloaded from [Exotic-Aqua.com/downloads](http://Exotic-Aqua.com/downloads) for information specifically relating to keeping jellyfish and water quality testing**

## SECTION 4. CHANGING THE COLOUR OF LED LIGHT

The LED light comes with a touch sensor which you can change the colour/mode of LED.

- 1) Touch once: Colour changing mode
- 2) Touch twice: Pink
- 3) Touch three times: Red
- 4) Touch four times: Green
- 5) Touch five times: White
- 6) Touch six times: Blue

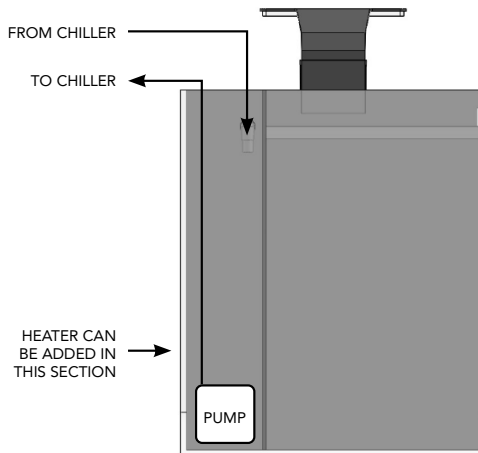


## SECTION 5. CHOOSING YOUR JELLYFISH

This aquarium has been designed to maintain the correct flow and water filtration to allow you to keep most species of jellyfish. The limiting factors when choosing jellyfish species are:

### Temperature

Different jellyfish have different optimum temperature ranges to thrive based on where they are from. An aquarium heater can be added to the pump section of the aquarium (make sure the heater is fully submerged), or an aquarium chiller can be connected from the pump, and connected to the pump hose connector by extending the silicon hose, to set the temperature of the aquarium water. Some aquarium chiller has both heating and cooling functions. The aquarium can hold both tropical and cold water species of jellyfish when this type of aquarium chiller is connected.



### Size

There are various species of jellyfish available but many of them grow to large sizes. It is important when choosing jellyfish, you take into account its rate of growth and maximum size.

If you choose to keep jellyfish with a small maximum size you can feed normally but if the jellyfish you keep can grow to a large size it is important to balance its food intake. This way you can keep its growth slow ensuring you can keep it in your aquarium for as long as possible before it has to be rehoused.

Please check our 'Jellyfish Husbandry Guide' for more information on jellyfish species and their husbandry requirements.

## SECTION 6. AQUARIUM CLEANING AND MAINTENANCE

Keeping your EA AIO jellyfish aquarium cleaned and well maintained will prolong the life of your jellyfish and keep the aquarium running for many years.

**IMPORTANT:** Under no circumstances should:

- a. detergents, spray cleaners or any other chemical agent be used on or near the aquarium.  
**Why?** *Using such materials can harm the inhabitants and/or damage the acrylic finish and tank construction. Any such use will invalidate applicable warranties.*
- b. excessive pressure be used when cleaning, nor any form of harsh abrasive material be used.  
**Why?** *The use of such materials may damage the vulnerable acrylic surface impairing its clarity and tendency to resist further biofilm accumulation.*

### HOW TO...

#### Feed Jellyfish

Use the feeding baster provided to gently add prepared food to the aquarium chamber. Please refer to the Feeding section of 'Jellyfish Husbandry Guide' for details on preparing jellyfish food. Feeding frequency will depend on the variety of jellyfish and the size to which you wish your stock to grow.

#### Clean External Surfaces

Use a soft lint-free cloth made damp with clean water or Reverse Osmosis water. Any smears or minor marks may be polished away afterwards by wiping down with a second soft lint-free dry cloth.

#### Clean Internal Surfaces

Over time the internal surfaces of the aquarium including the viewing panes may show a build-up or fine film, commonly known as a 'biofilm' consisting of bacteria and minor algal populations. These may be removed by regular gentle wiping with a suitable soft sponge or dedicated acrylic cleaning pad available from your aquatic retailer.

#### Clean Filter Sponge

The internal filter sponges will need regular routine cleaning. The regularity of maintenance required will depend on the number of animals kept and the amount/types of food used. As a general recommendation it is suggested that the sponge be removed and rinsed under hot running water before being given a final rinse in Reverse Osmosis water at least once every two weeks.

We recommend the following routine:

##### Daily

- Feed jellyfish once or twice as necessary
- Remove uneaten food

##### Weekly

- Gently wipe the inside of the tank to remove algae
- Check water salt levels
- 10% water change

##### Monthly

- Remove filter sponge and rinse under the tap

##### Every 3 Months

- Thoroughly clean the filter and filter sponge
- Remove and clean the pump

### Clean Filter Media

The ceramic filter media need to be cleaned occasionally when excess debris accumulates in the filtration compartment. Take the filter media out of the aquarium and rinse them with aquarium water. Do not clean the filter media with tap water as this results in killing beneficial bacteria. After cleaning, put the filter media back into the filter compartment of the aquarium and add newly prepared seawater as part of water change

### Check Water Salt Levels

Use the swing hydrometer provided to take a sample of the aquarium water. Salinity reading should be between 1.019 - 1.026 specific gravity and 25-35 parts per thousand.

### Change Water

Regular water changes are an essential and accepted part of maintaining a healthy aquatic environment.

Whilst the built-in filtration system will help break down a large percentage of any waste and uneaten food generated, the accumulation of organic material and lowering of water quality over time mean that a regular routine of water changes are essential to both dilute unwanted accumulations, and to replenish vital trace elements that are provided in the salt water. It is therefore recommended that on a monthly basis, at least 20% of the aquariums water be exchanged for new.

Ideally water changes should be split across two changes performed once every two weeks at the same time the filter sponges are cleaned. The addition of a small amount of new salt water will have no adverse effect on any animals present as long as it is well mixed and aerated prior to addition.

Add new water to the filter compartment.

### IMPORTANT:

- a. Always remember to turn off the circulation pump when conducting water changes to prevent the pump from scavenging air.
- b. New water, including fresh top-up water, should always be added to the filter compartment only.
- c. Never add new water to the main display area as this may add bubbles to the display that can damage the Jellyfish if they become trapped under the body.
- d. The circulation pump may be turned on again only after it has been fully submerged.

### SECTION 7. DISPOSING OF JELLYFISH IN THE EVENT THEY DIE

It is extremely important that under no circumstances are jellyfish to be released into the natural ecosystem by direct release or lavatory flushing. Even dead jellyfish can produce planula (jellyfish larva) which can attach to rock and begin producing baby jellyfish, and this can have disastrous consequences for the local environment.

Dead jellyfish should first be placed in a bucket of water and sterilised with a cap of bleach before being disposed of in a bag, in the trash.



For further information visit  
[www.exotic-aqua.com](http://www.exotic-aqua.com)



For additional support and advice,  
send a message to our Instagram

For Technical support, all warranty claims and spare parts  
email [info@exotic-aqua.com](mailto:info@exotic-aqua.com)  
For all warranty claims and spare parts please contact us.

