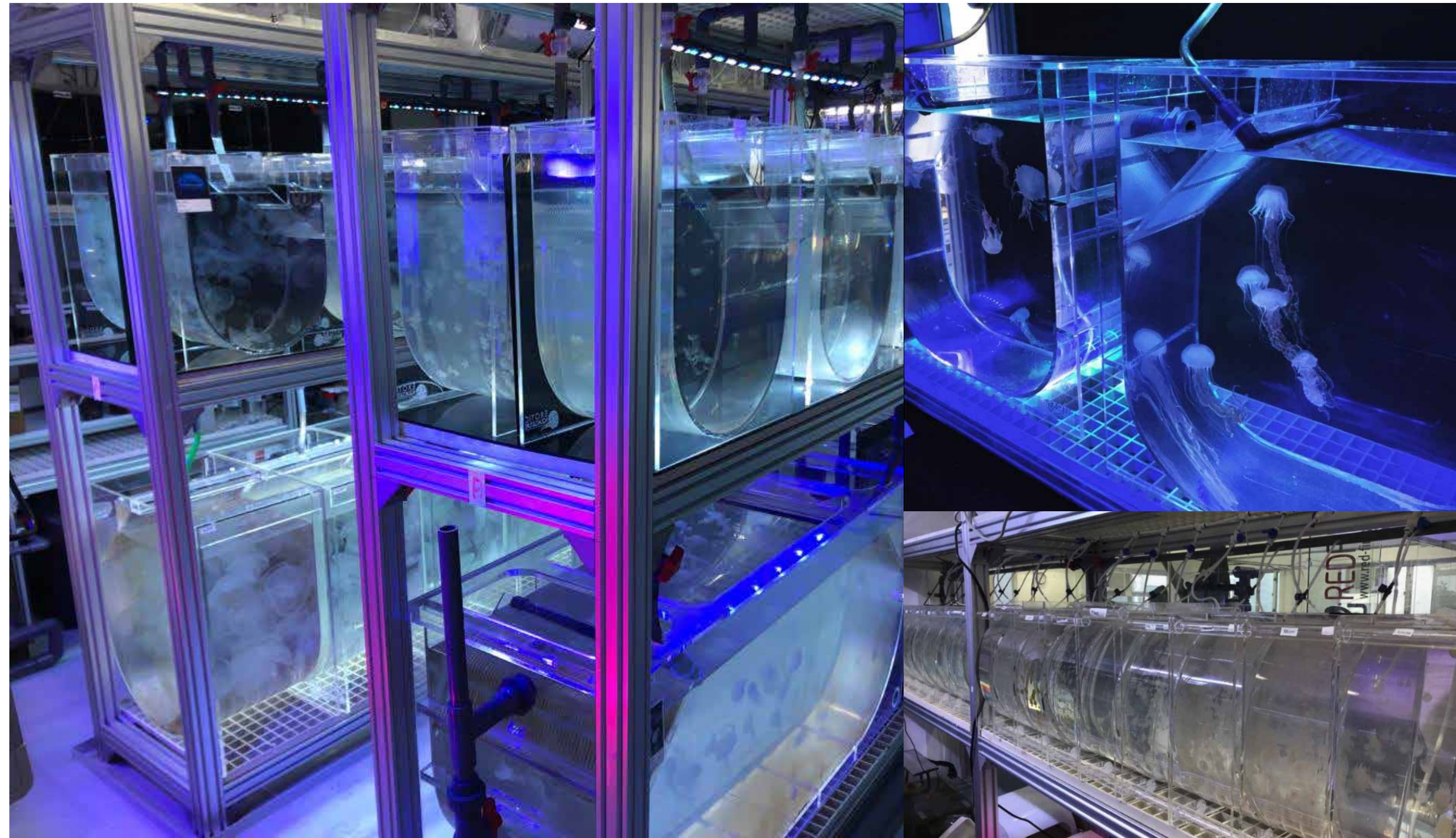
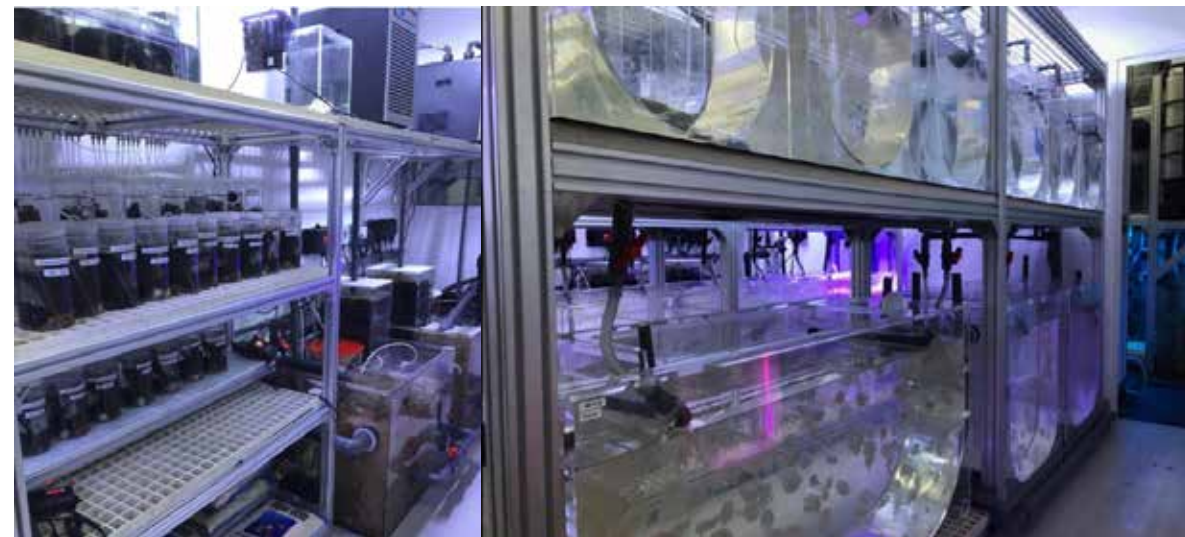




EXOTIC AQUACULTURE

THE WORLD LEADING JELLYFISH SPECIALIST

SINCE our establishment in 2015, Exotic Aquaculture has been the leading supplier of live jellyfish and related equipment to the aquarium trade, supplying more than 50 public aquariums and livestock importers in more than 20 countries. EA also works closely with universities and research institutes, supplying live jellyfish, specialized kreisel aquariums and fish holding systems. EA operates a 6,000L jellyfish aquaculture facility in Hong Kong, and is currently breeding over 20 different species of jellyfish, ranging from cold water to tropical water species.



6,000L JELLYFISH AQUACULTURE FACILITY IN HONG KONG

LIVE JELLYFISH

The availability of wild captured jellyfish is limited by season, weather and location. The occurrence of jellyfish in the wild is unpredictable which makes finding a consistent supply difficult. By breeding captive bred jellyfish, EA can supply a range of jellyfish species in any size, all year around. EA's captive bred jellyfish include, but not limited to, the following species:



COMMON NAME	SCIENTIFIC NAME
Moon jellyfish	<i>Aurelia aurita</i>
Japanese sea nettle	<i>Chrysaora pacifica</i>
Pacific sea nettle	<i>Chrysaora fuscescens</i>
Black sea nettle	<i>Chrysaora achlyos</i>
South American sea nettle	<i>Chrysaora plocamia</i>
Purple striped jellyfish	<i>Chrysaora colorata</i>
Brown striped jellyfish	<i>Chrysaora lactea</i>
Compass jellyfish	<i>Chrysaora hysoscella</i>
Amakusa jellyfish	<i>Sanderia malayensis</i>
Lion's mane jellyfish	<i>Cyanea capitata</i>
Blue jellyfish	<i>Cyanea lamarckii</i>
Blue blubbers	<i>Catostylus mosaicus</i>
Spotted lagoon jellyfish	<i>Mastigias papua</i>
Australian spotted jellyfish	<i>Phyllorhiza punctata</i>
Cannonball jellyfish	<i>Stomolophus meleagris</i>
Purple jellyfish	<i>Rhizostoma luteum</i>
Pink jellyfish	<i>Thysanostoma thysanuran</i>
Marbled jellyfish	<i>Lytchnorhiza lucerna</i>
Flame jellyfish	<i>Rhopilema esculentum</i>
Sand colour jellyfish	<i>Rhopilema asamushi</i>
Fried egg jellyfish	<i>Cotylorhiza tuberculata</i>
Egg yolk jellyfish	<i>Phacellophora camtschatica</i>

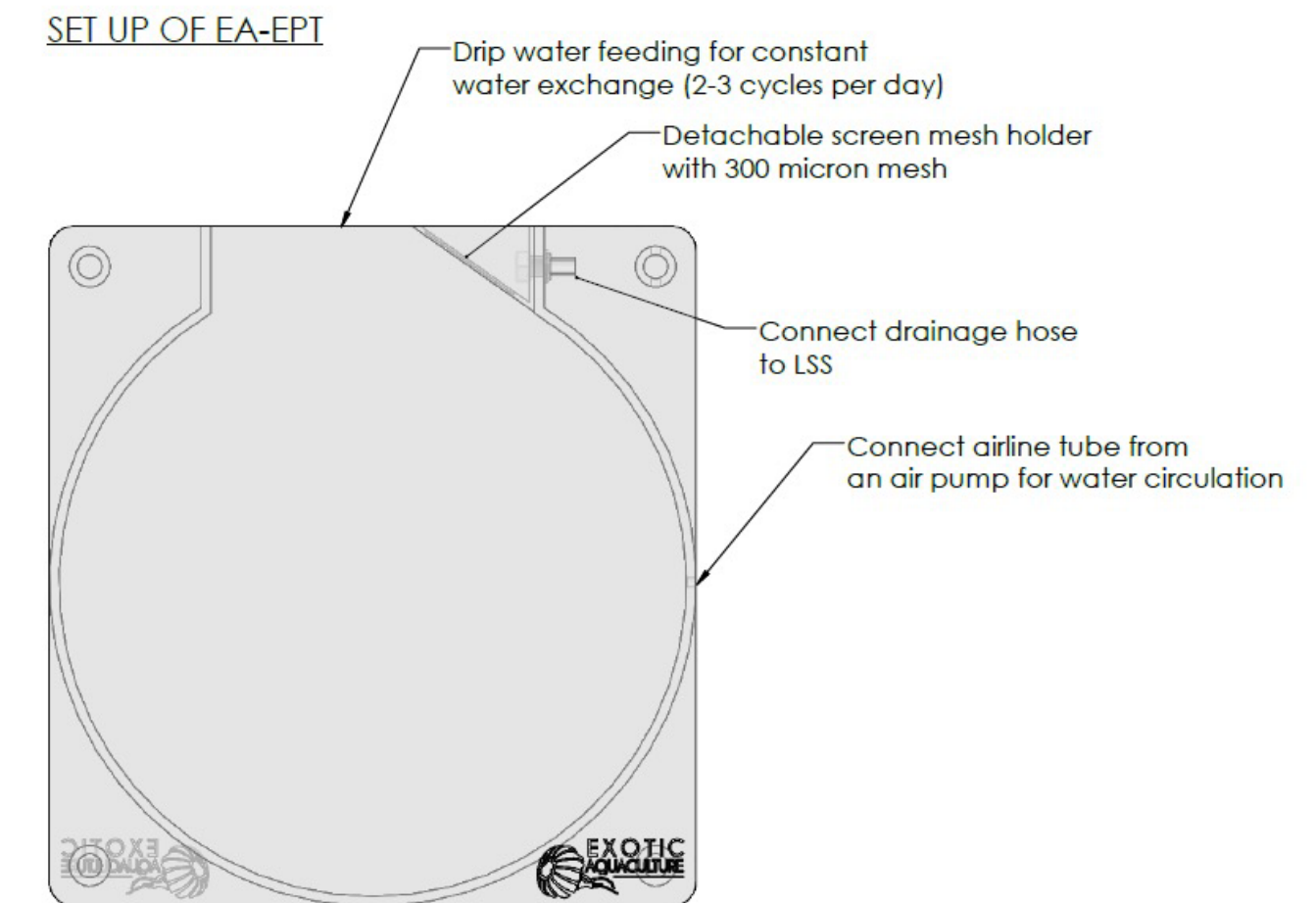
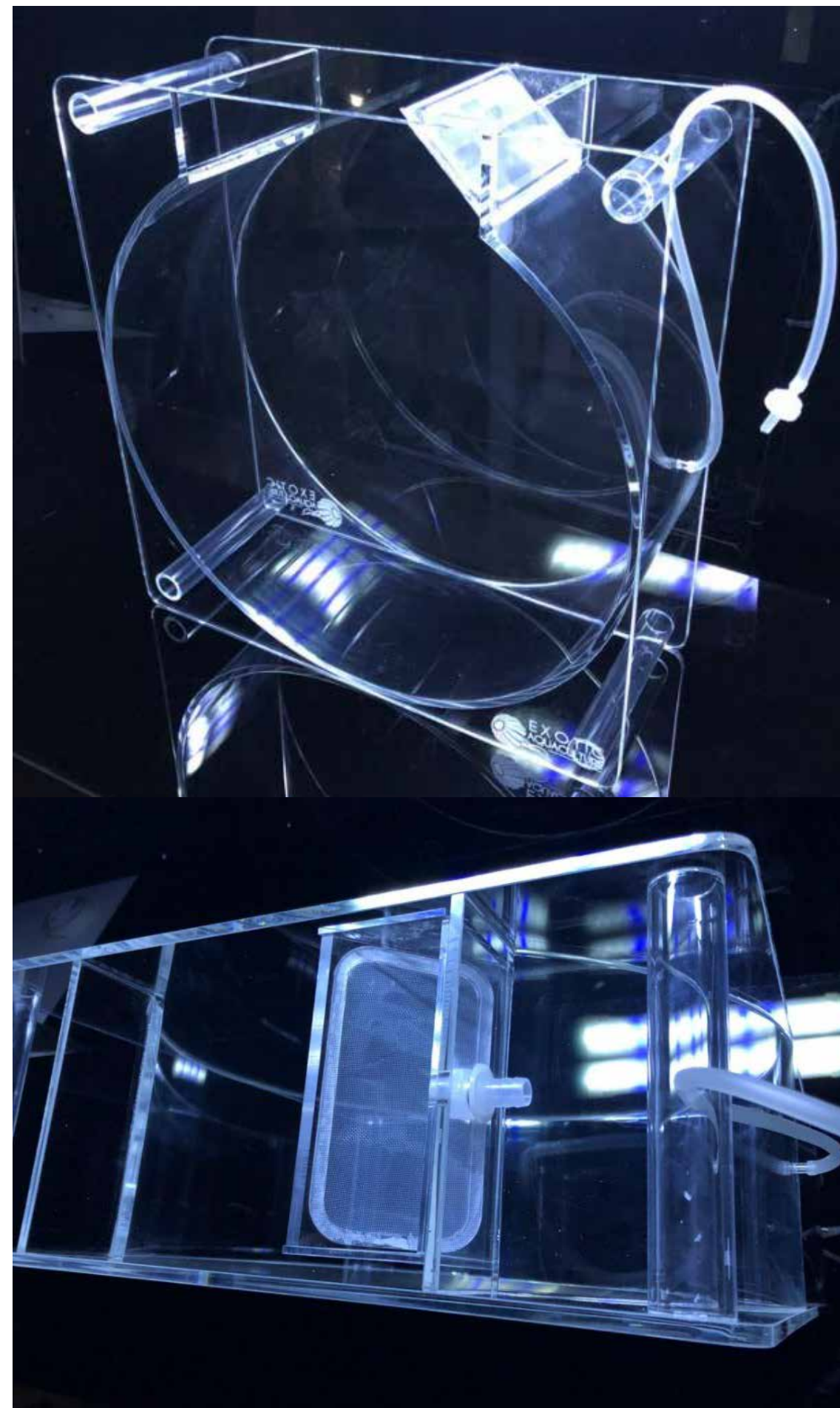
JELLYFISH AQUARIUMS

Exotic Aquaculture manufactures specialised aquariums for breeding, growing and holding jellyfish. The system design has been developed based on over 10 years of experience in jellyfish keeping. EA jellyfish aquariums are designed to be simple and user friendly, whilst providing the best possible conditions for maintaining livestock.



EXOTIC AQUACULTURE EPHYRAE HOLDING TANKS

EA ephyrae holding tanks are designed to keep ephyrae (larvae of jellyfish) which have extremely fragile bodies along with a limited swimming capability. Different to the common air-driven ephyrae tanks, EA ephyrae holding tank has a mesh screen and drain tube, which allows the user to connect the tanks to a life support system. This reduces the need for frequent water changes when compared with traditional air-driven ephyrae tanks. This also ensures that ephyrae have more stable water conditions for their growth, and reduces the risk of damage incurred during the water changes. Newly born ephyrae (<3mm) can be moved straight into the tank, with water recirculated.



PRODUCT	CODE	DIMENSIONS (WxHxD, cm)	INLET HOSE SIZE (mm)	OUTLET HOSE SIZE (mm)	MESH SIZE (µm)	WEIGHT (kg)	VOLUME (l)
EA EPHYRAE HOLDING TANK S	EA-EPT-S	31 X 33 X 11	DRIP FEEDING	Ø10 (INTERNAL)	300/600	2.0	7.0
EA EPHYRAE HOLDING TANK M	EA-EPT-M	40 X 42 X 15	DRIP FEEDING	Ø10 (INTERNAL)	300/600	3.7	16.0
EA EPHYRAE HOLDING TANK L	EA-EPT-L	48 X 50 X 15	DRIP FEEDING	Ø10 (INTERNAL)	300/600	4.9	25.0

BRAND NEW:

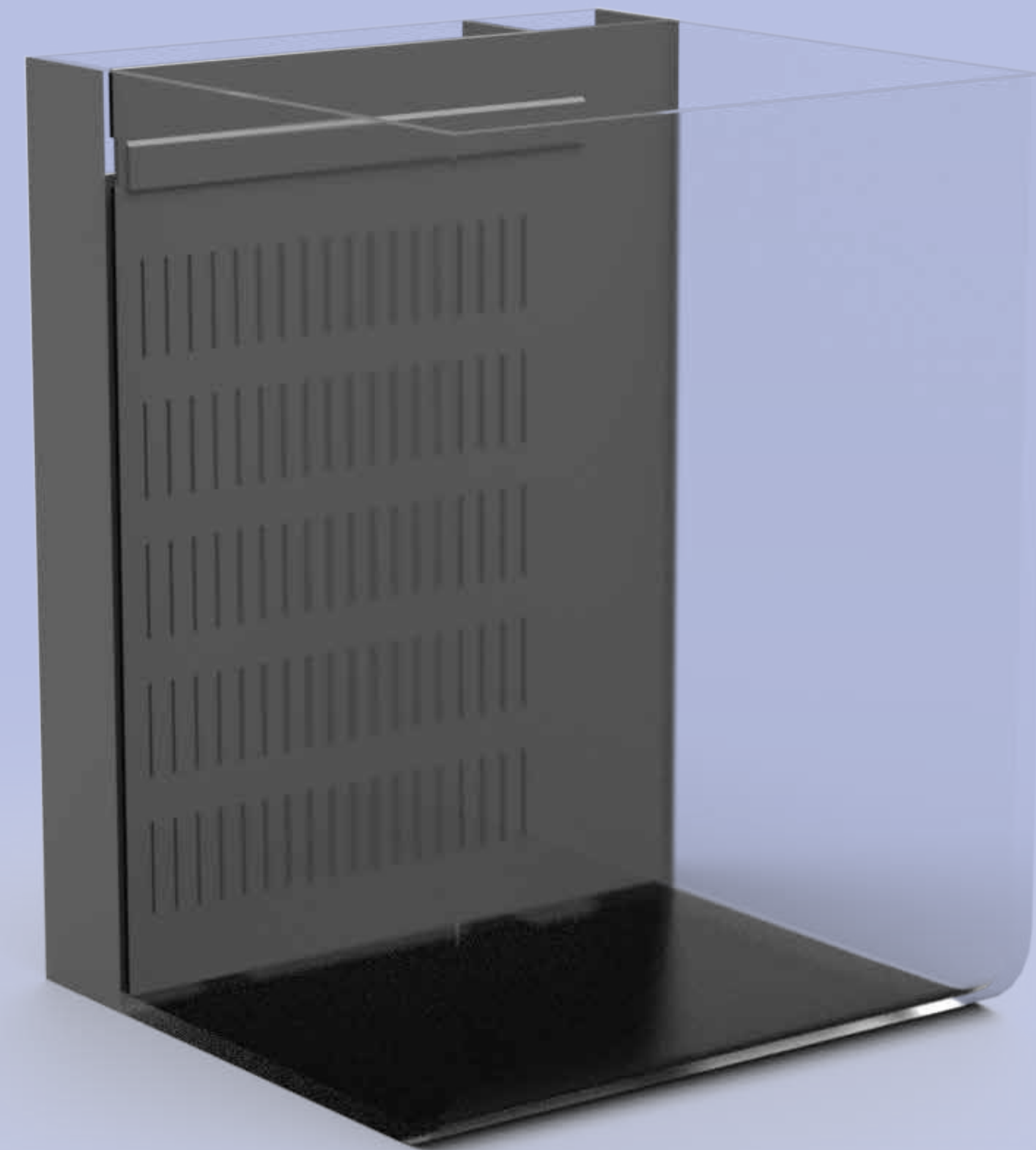
EXOTIC AQUACULTURE ALL-IN-ONE JELLYFISH TANK

Home jelly keeping made easy. Finally.

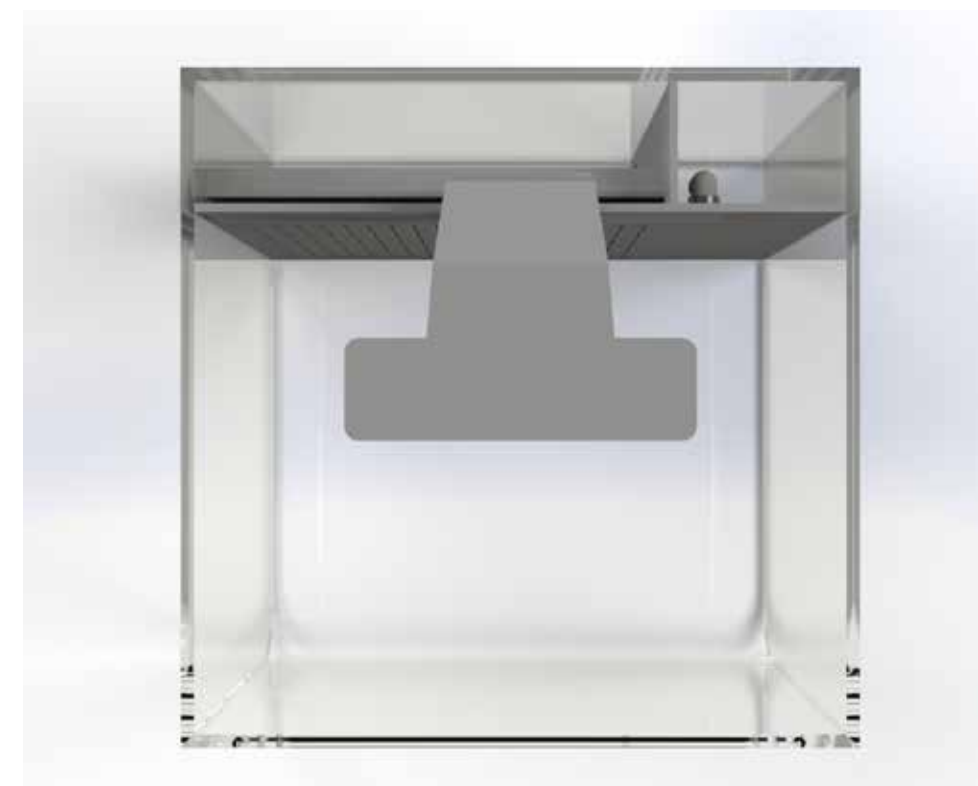
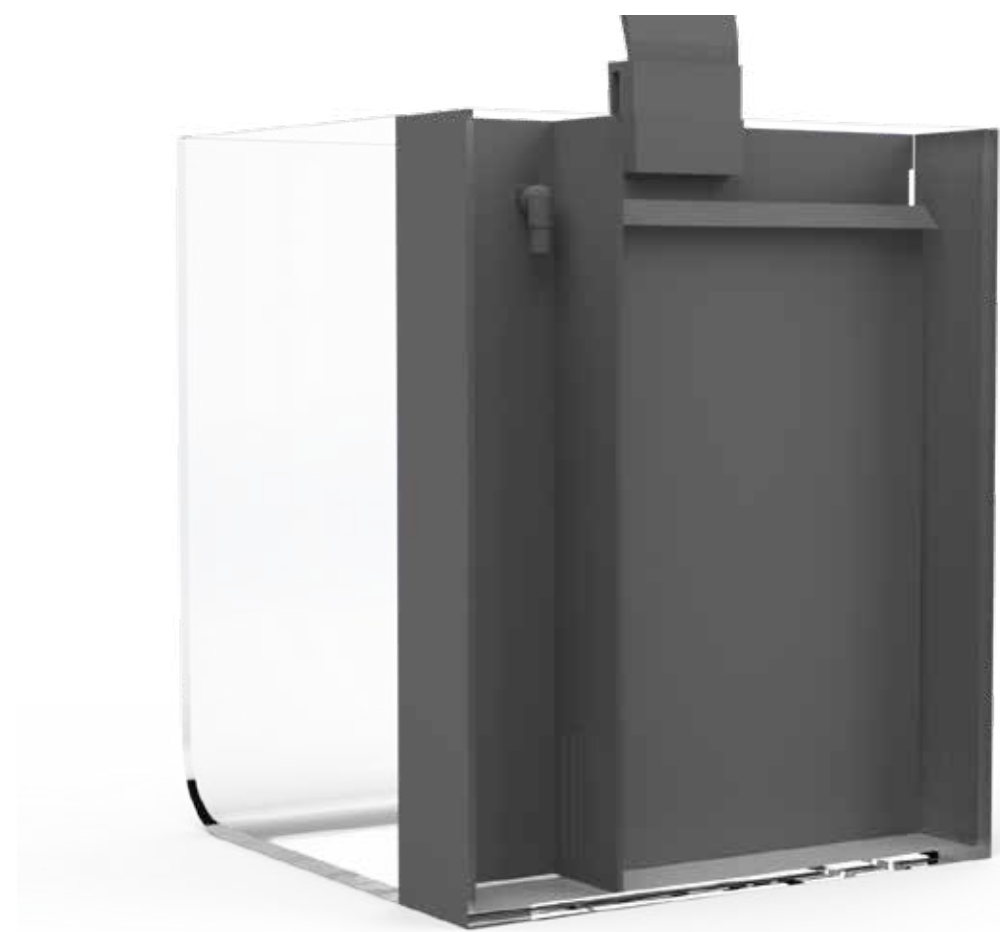
- Simple but attractive tank designed for newcomers and amateurs who want small, set-and-forget systems
- Comes with ceramic media, sponges, return pump and light with optional extras perfect to go from zero to functioning jellyfish system at an affordable price
- Designed from the ground up specifically for jellyfish, no hacking, DIYing other bodging required to get a fully functioning jelly home

We spotted a big gap in the current market in the jellyfish hobby. We noticed that there were many people interested in keeping jellyfish at home and actively reaching out to us to inquire about it. How to feed them, what temperatures to keep them at, and most critically; where to even get a tank to keep them in. Most tanks on the market were small, unaesthetic, poor quality and just not made with the aquarist in mind. This is when we started working on this AIO tank. Our goal was fulfill the demand that was clearly already there and to do it well in the hopes of creating a lively and long-lasting niche that is jellyfish keeping.

15L/35L



For beginners who have never owned an aquarium before, we also offer a starter set which includes some of the important key pieces of equipment for aquarium maintenance. This set includes salt, a brine shrimp net, a turkey baster, a hydrometer and some quick-start nitrifying bacteria. The non-set version does still come with all the equipment to get a tank up and running like filter media and a light.



PRODUCT

CODE

**DIMENSIONS
(WxHxD, cm)**

**WEIGHT
(kg)**

**VOLUME
(l)**

EA ALL-IN-ONE JELLYFISH TANK - M	EA-AIO-M	25 X 30 X 25	5.0	15
EA ALL-IN-ONE JELLYFISH TANK - L	EA-AIO-L	25 X 30 X 25	10.0	35
EA ALL-IN-ONE JELLYFISH TANK SET - M	EA-AIO-SET-M	25 X 30 X 25	5.0	15
EA ALL-IN-ONE JELLYFISH TANK SET - L	EA-AIO-SET-L	25 X 30 X 25	10.0	35

AIO Tank comes with:

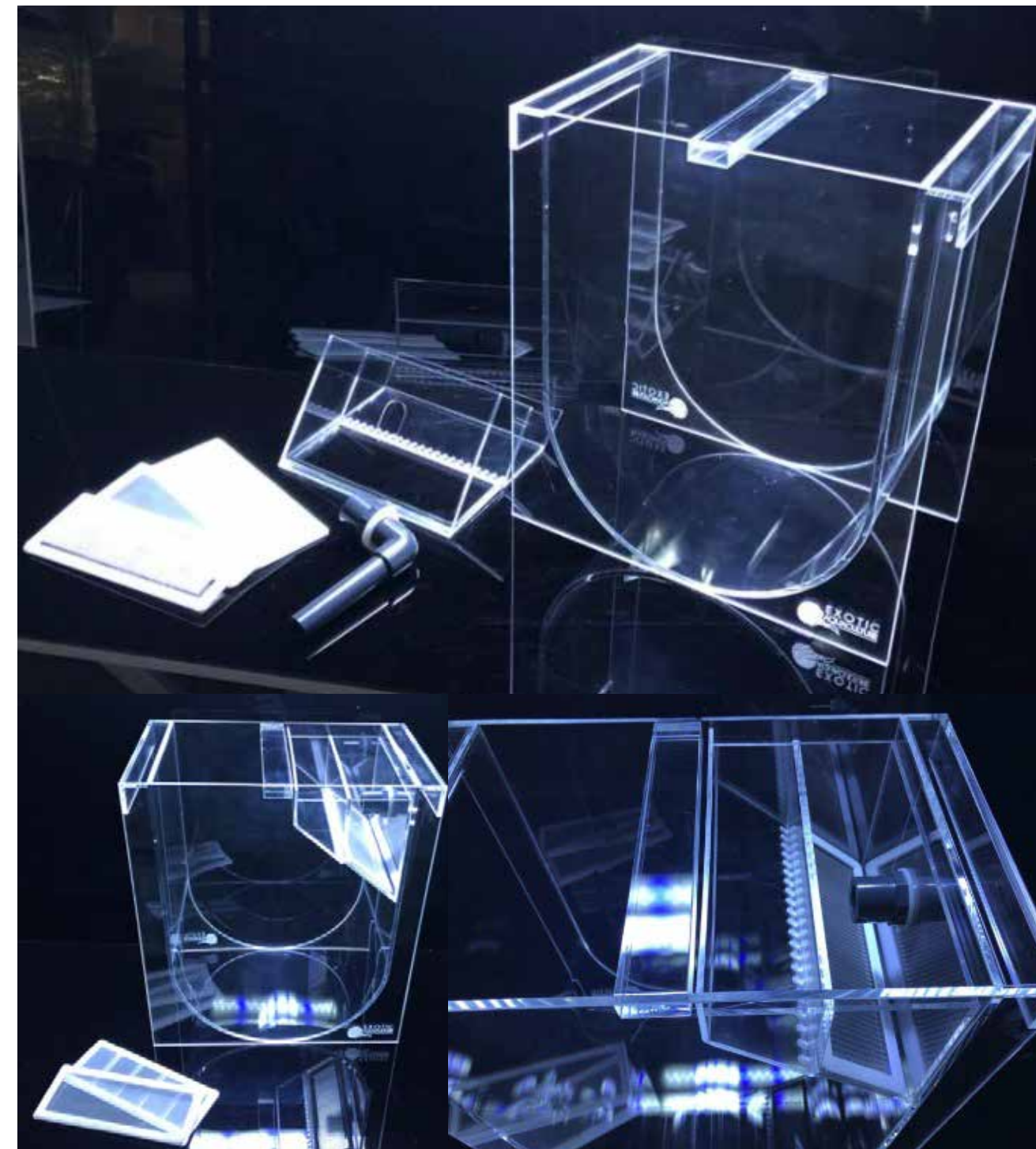
- Sponge
- Ceramic rings
- Return pump
- Return tube
- LED Light
- USB Power Brick

AIO Set also comes with:

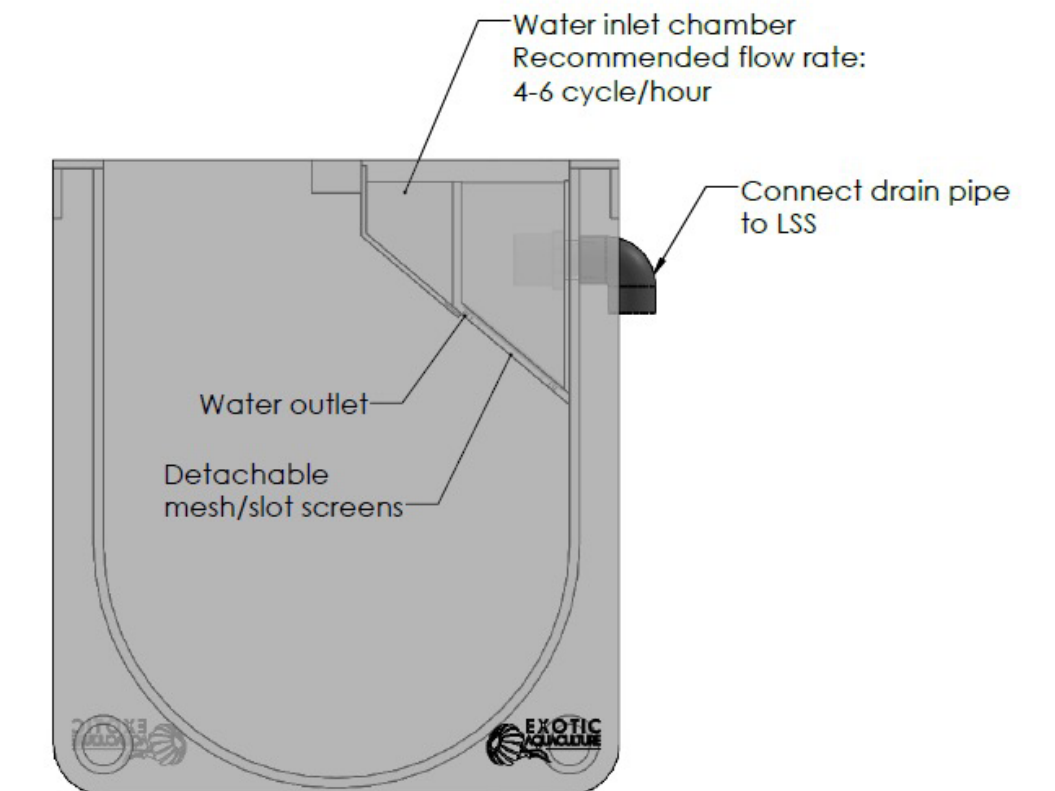
- Salt (500g)
- Net
- Baster
- Hydrometer
- Quick start bacteria

EXOTIC AQUACULTURE JELLYFISH CULTURE TANKS

EA jellyfish culture tanks are designed to hold small medusa, or metephyrae >5mm in bell diameter. It comes with 3 different swappable screens, i.e. 300 micron mesh, 600 micron mesh and 1mm slots. The water flow is driven by water pushed out from the water inlet section. Unlike the EA ephyrae holding tanks, the water flow is created solely by water, thus the turnover rate needs to be much higher (minimum 4 times/hour) to keep sufficient water flow inside the tank.



SET UP OF EA-JCT



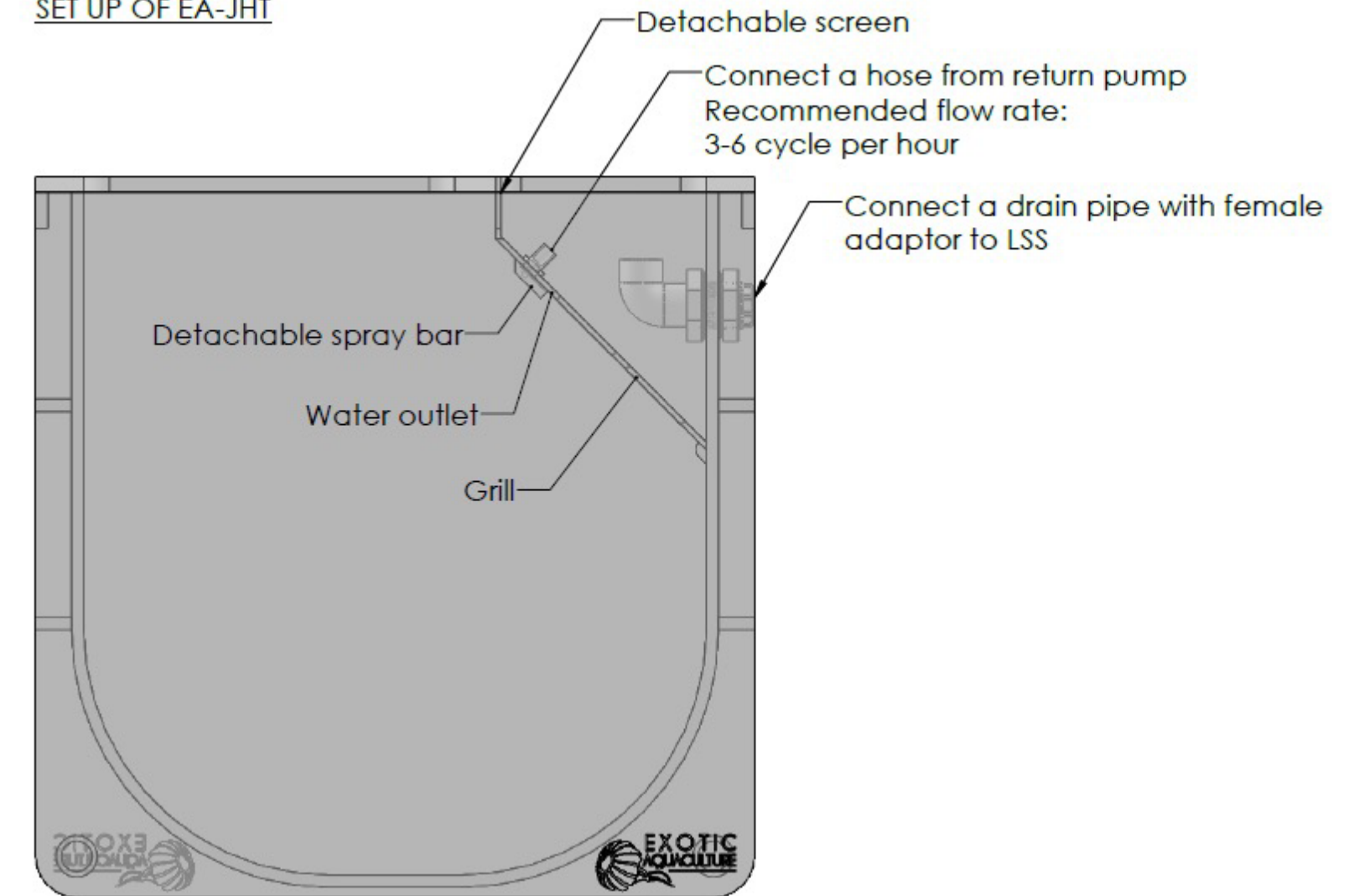
PRODUCT	CODE	DIMENSIONS (WxHxD, cm)	INLET HOSE SIZE (mm)	OUTLET PIPE SIZE (mm)	MESH SIZE (mm)	WEIGHT (kg)	VOLUME (l)
EA JELLYFISH CULTURE TANK 17L	EA-JCT-17	34 X 38 X 21	GRAVITY FEEDING	DN15	0.3 0.6 1.0 (SLOT)	3.3	17
EA JELLYFISH CULTURE TANK 35L	EA-JCT-35	43 X 49 X 27	GRAVITY FEEDING	DN20	0.3 0.6 1.0 (SLOT)	8.2	35

EXOTIC AQUACULTURE JELLYFISH HOLDING TANKS

EA jellyfish holding tanks are designed to hold and grow jellyfish from juvenile stage on to adulthood. Each tank comes with detachable screens, along with a built-in spray bar. A rubber hose from the return line can be simply connected to the inlet tube of the detachable screen, which pushes water through the holes and creates the water flow within the tank. They are suitable for keeping any jellyfish over 2cm bell diameter.



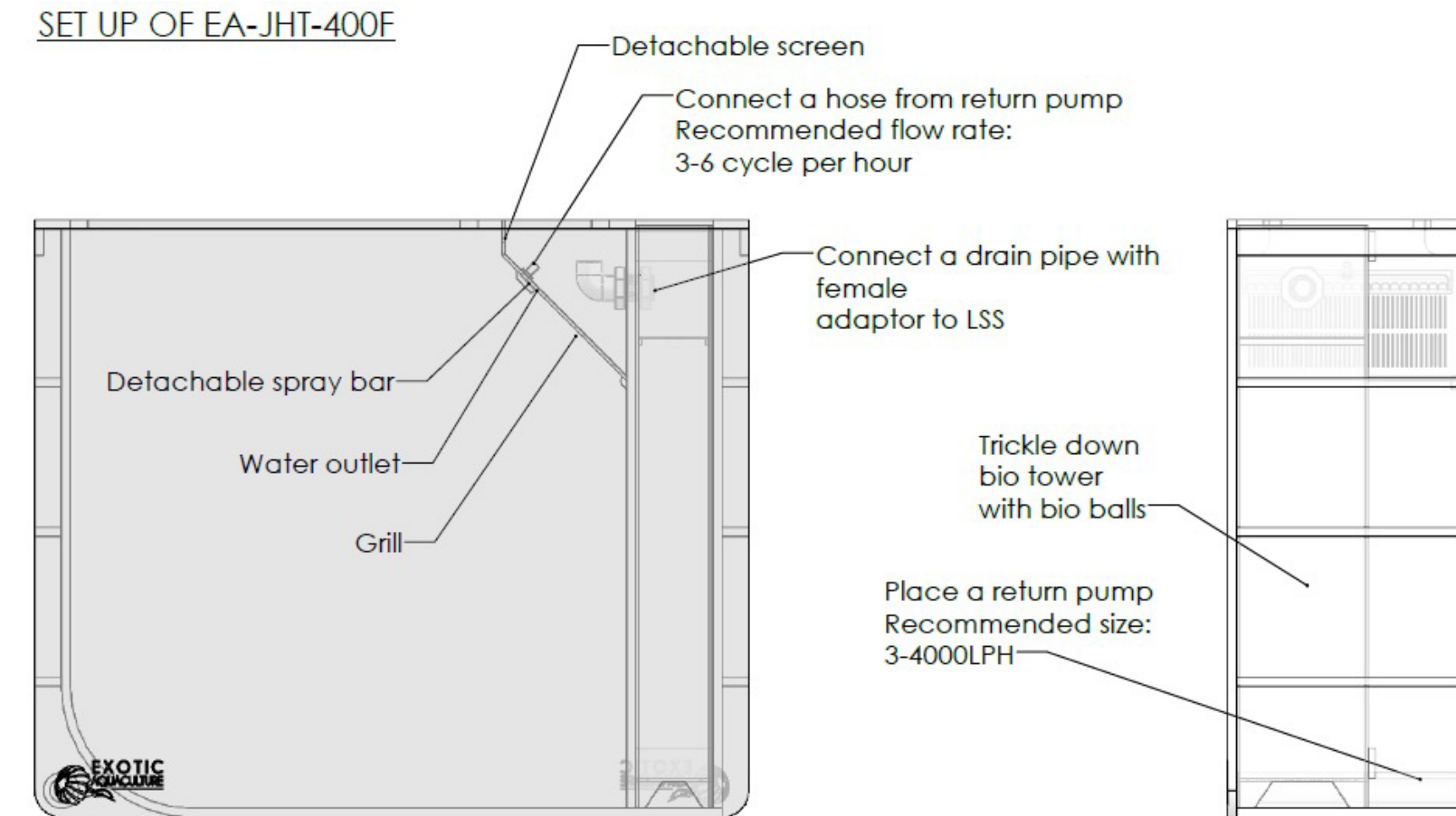
SET UP OF EA-JHT



PRODUCT	CODE	DIMENSIONS (WxHxD, cm)	INLET HOSE SIZE (mm)	OUTLET PIPE SIZE (mm)	SLOTS SIZE (mm)	WEIGHT (kg)	VOLUME (l)
EA JELLYFISH HOLDING TANK 35L	EA-JHT-35	43 X 49 X 27	Ø12.0 (INTERNAL)	DN20	1	8.2	35
EA JELLYFISH HOLDING TANK 60L	EA-JHT-60	50 X 60 X 30	Ø16.0 (INTERNAL)	DN25	2	13.0	50
EA JELLYFISH HOLDING TANK 95L	EA-JHT-95	60 X 68 X 37	Ø16.0 (INTERNAL)	DN25	2	20.0	95
EA JELLYFISH HOLDING TANK 120L	EA-JHT-120	70 X 70 X 35	Ø16.0 (INTERNAL)	DN25	2	22.0	120
EA JELLYFISH HOLDING TANK 230L	EA-JHT-230	90 X 90 X 40	Ø16.0 (INTERNAL)	DN32	2	50.0	230
EA JELLYFISH HOLDING TANK 280L	EA-JHT-280	100 X 100 X 40	Ø16.0 (INTERNAL)	DN32	2	60.0	280
EA JELLYFISH HOLDING TANK 320L	EA-JHT-320	120 X 100 X 40	Ø16.0 (INTERNAL)	DN32	2	65.0	320
EA JELLYFISH HOLDING TANK 350L	EA-JHT-350	140 X 70 X 50	Ø16.0 (INTERNAL) X2	DN32 X2	2	65.0	350

EXOTIC AQUACULTURE JELLYFISH HOLDING TANK WITH BUILT-IN FILTRATION

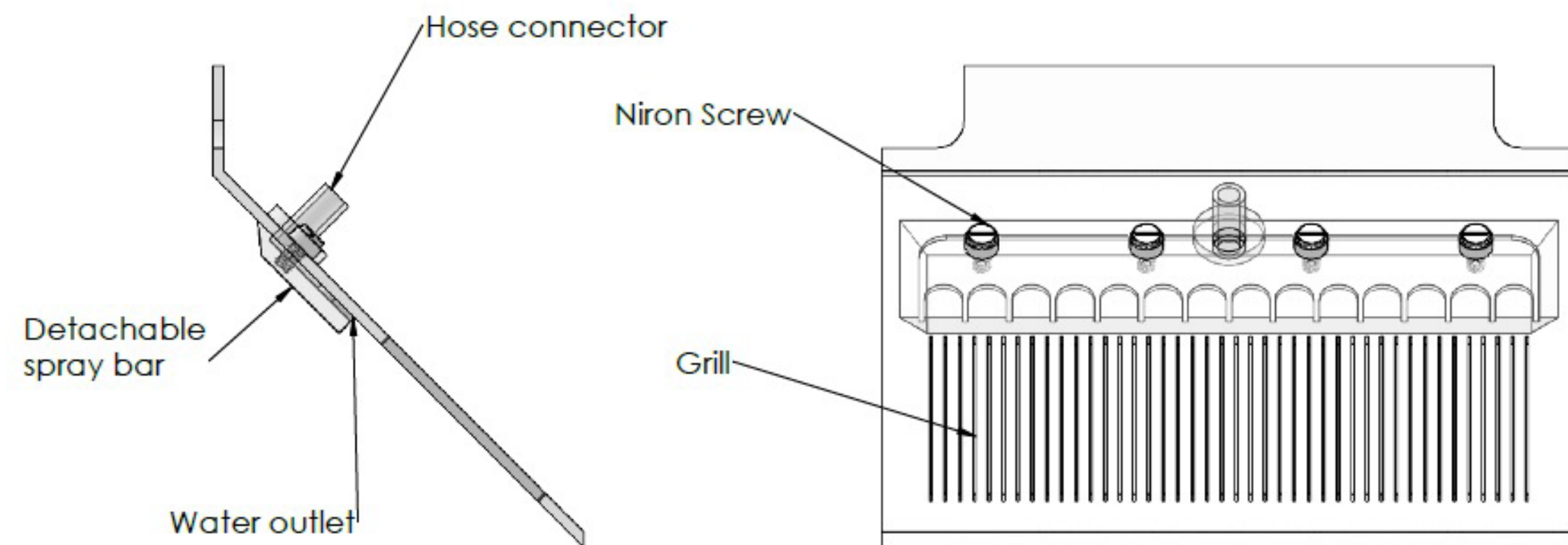
EA-JHT-400F is the only holding tank with built-in filtration section, thus can be used as stand-alone tank. The detachable filtration box comes with 32mm bio-balls. There is a section for a return pump next to the filtration box with the hose connector on the screen. The built-in spray bar can be simply connected to the return pump hose. A small hang-on protein skimmer can be added on the side of the tank for additional filtration.



PRODUCT	CODE	DIMENSIONS (WxHxD, cm)	INLET HOSE SIZE (mm)	OUTLET PIPE SIZE (mm)	SLOTS SIZE (mm)	WEIGHT (kg)	VOLUME (l)
EA JELLYFISH HOLDING TANK 400L	EA-JHT-400F	120 X 100 X 40	Ø16.0 (INTERNAL)	DN25	2	72.0	400

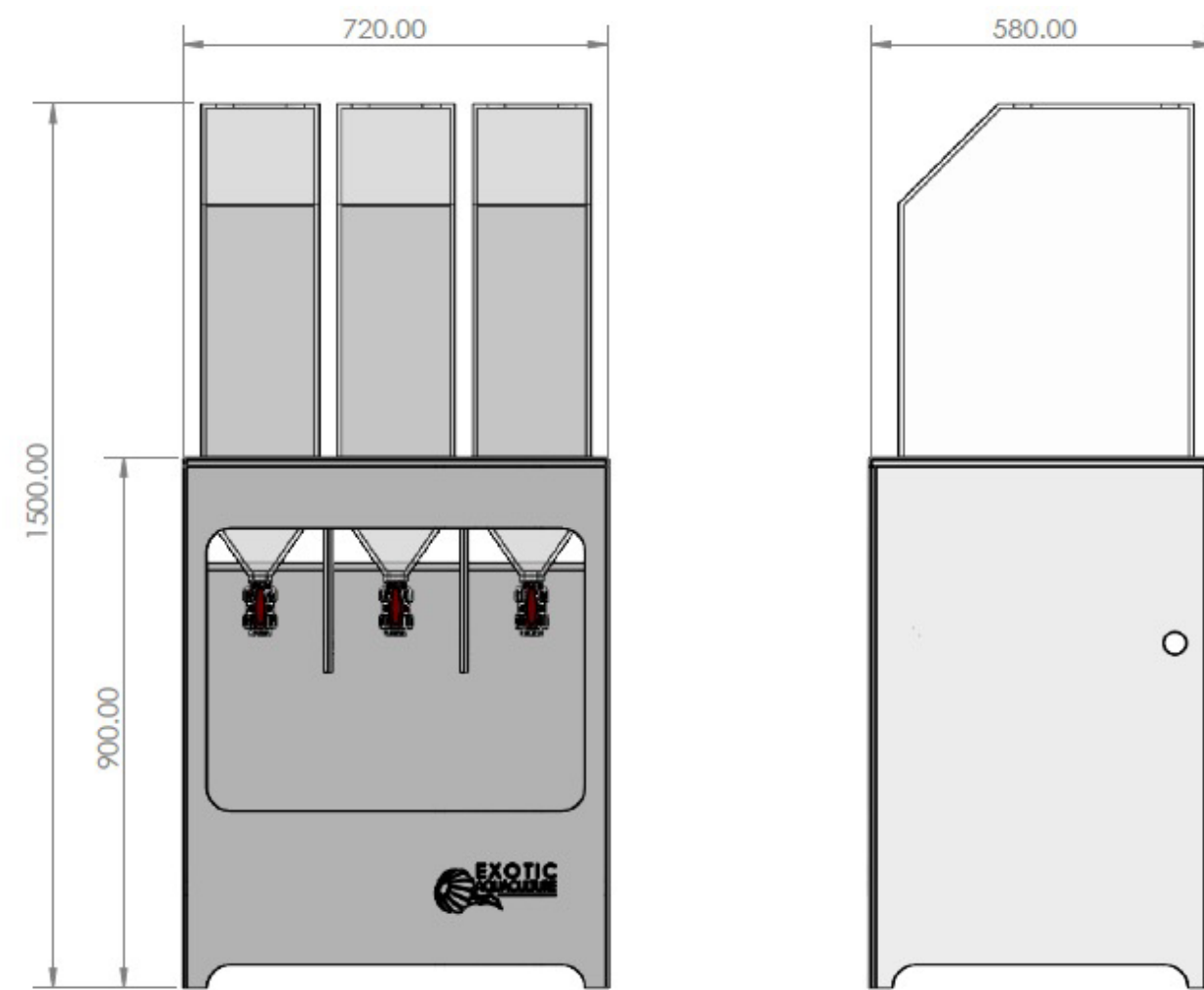
EXOTIC AQUACULTURE DETACHABLE SCREENS WITH BUILT-IN SPRAY BARS

All Exotic Aquaculture's holding tanks come with detachable screens with built-in spray bars, which leads to a very quick and simple installation. The hose connector can be simply connected to a hose from return pipe. Water will be pushed through the built-in spray bars, ensuring a perfect flow along the screen and tank walls to keep the jellyfish inside in suspension. This ensures that jellyfish don't get stuck on the spray bar, which can sometimes occur with other traditional PVC spray bars. All screens as well as the integrated spray bars are detachable for easy cleaning.



EXOTIC AQUACULTURE ARTEMIA HATCHING VESSEL

Exotic Aquaculture Artemia (Brine shrimp) hatching vessels are creatively designed based on the EA team's extensive jellyfish breeding experience. An air spike can be installed to the bottom of the vessel, where the air bubbles create a circular flow. The narrow vessel design also saves your installation space compared to traditional cone shape vessels. It comes with a custom-built acrylic stand with holes on the side, allowing for the installation of a light strip just under the vessels. The light strip attracts the hatched artemia towards the bottom of each vessel during the harvest.



PRODUCT

CODE

**VESSEL
DIMENSIONS**
(WxHxD, cm)

**TOTAL
DIMENSIONS**
(WxHxD, cm)

**VESSEL
VOLUME**
(l)

**TOTAL
VOLUME**
(l)

**TOTAL
WEIGHT**
(kg)

**DRAIN
PIPE SIZE**
(l)

EA ARTEMIA HATCHING VESSELS

EA-AHV

20 X 90 X 51

72 X 150 X 58

70.0

210.0

63.0

DN15

JELLYFISH SYSTEMS

Exotic Aquaculture's jellyfish systems are integrated system for breeding, growing and holding various types of jellyfish in different sizes. Our systems assure you to successfully breed and grow jellyfish from the polyps to adult medusa. EA jellyfish systems are designed to be simple and user friendly, whilst providing the best possible conditions for growing jellyfish.



EXOTIC AQUACULTURE JELLYFISH BREEDING BENCH

EA jellyfish breeding system is an integrated system which designed for breeding and culturing jellyfish. It comes with two different sizes of ephyrae culture tanks, metaphyrae and juvenile jellyfish culture tanks, LSS (water filtration system), plumbing system, PVC water bath and anodised aluminium rack. The ephyrae tank can also keep jellyfish polyps, and the pvc water bath will keep the temperature stable in the tanks. Different to traditional ephyrae holding tanks, EA ephyrae holding tanks are designed to connect to the system and do not require manual water changes.



SET INCLUDES:

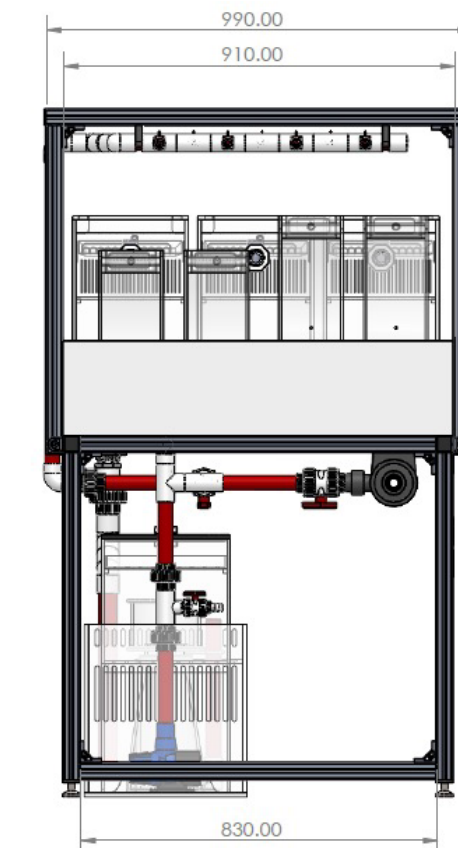
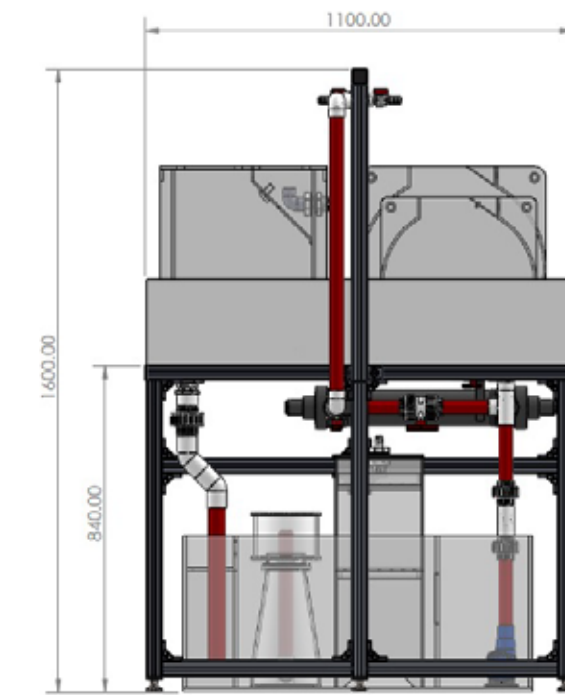
ITEM	QTY.	ITEM	QTY.
EA-EPT-S	2	RETURN PUMP	1
EA-EPT-L	2	BAG FILTERS	3
EA-JHT-35	3	UV STERILIZER	1
SUMP	1	ALUMINIUM STAND	1
TRICKLE BIO FILTER	1	PVC DEEP TRAY	1
PROTEIN SKIMMER	1	SET OF PVC PIPES AND FITTINGS	1

SPECIFICATION:

ITEM	DIMENSIONS (cm)	POWER (w)	UNIT VOLUME (l)
EA-EPT-S	40 X 42 X 15	N/A	16
EA-EPT-L	48 X 50 X 15	N/A	25
EA-JHT-35	43 X 49 X 27	M/A	35
SUMP	90 X 40 X 40	N/A	100
TRICKLE BIO FILTER	30 X 23 X 60	N/A	40
PROTEIN SKIMMER	19 X 18 X 45	12	N/A
RETURN PUMP	17 X 8 X 12	35	3000LPH
UV STERILIZER	70 X 12 X 18	28	N/A
TOTAL/ SYSTEM	110 X 94 X 160	75	280

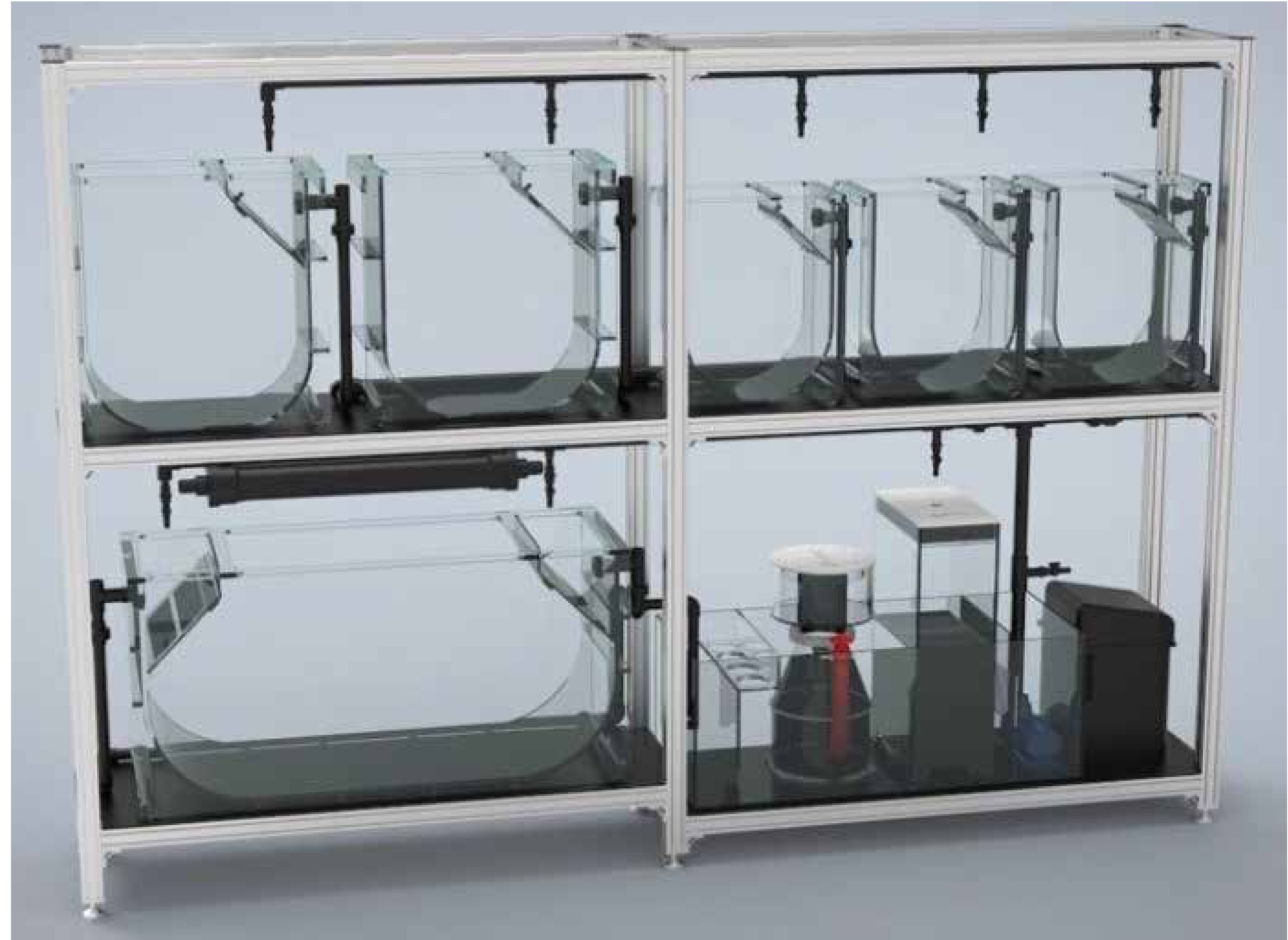
JELLYFISH CAPACITY:

ITEM	JELLYFISH EPHYRAE/TANK	JELLYFISH METAPHYRAE/TANK	MOON JELLYFISH S (3-4CM) / TANK	SEA NETTLE S (2-3CM)/ TANK
EA-EPT-S	500	300	-	-
EA-EPT-L	800	500	-	-
EA-JHT-35	-	-	150	30
TOTAL/ SYSTEM	2,600	1,600	450	90

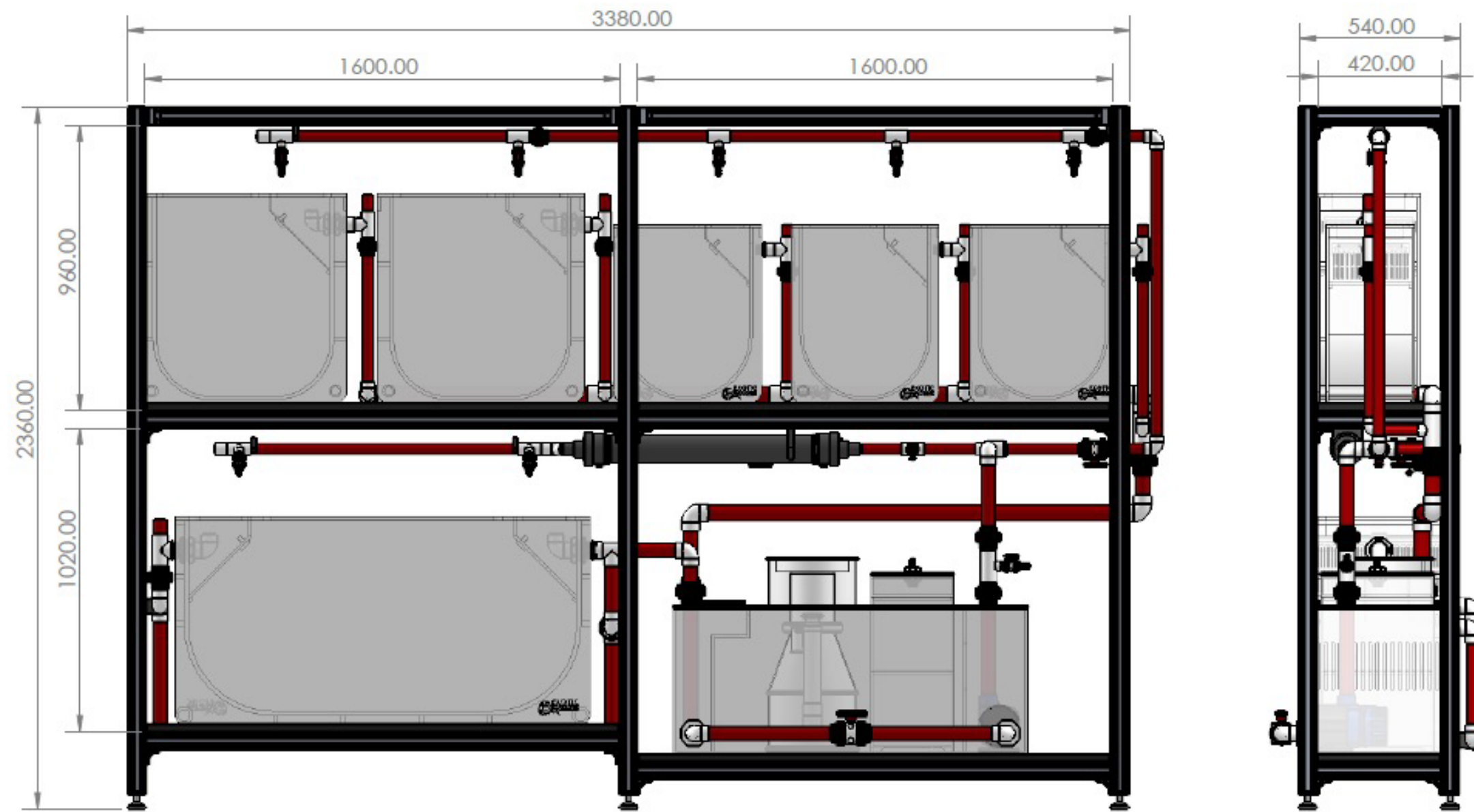


JELLYFISH GROW OUT SYSTEMS

Exotic Aquaculture's jellyfish grow out systems are integrated system for growing and holding various types of jellyfish in different sizes. Our systems assure you to successfully grow jellyfish from the juvenile to adult medusa. EA jellyfish systems are designed to be simple and user friendly, whilst providing the best possible conditions for growing jellyfish.



JELLYFISH GROWOUT SYSTEM A



SET INCLUDES:

ITEM	QTY.	ITEM	QTY.
EA-JHT-60S	3	RETURN PUMP	1
EA-JHT-120S	2	BAG FILTERS	3
EA-JHT-350S	1	UV STERILIZER	1
SUMP	1	ALUMINIUM STAND	1
TRICKLE BIO FILTER	1	FRP SHELVES	4
PROTEIN SKIMMER	1	SET OF PVC PIPES AND FITTINGS	1

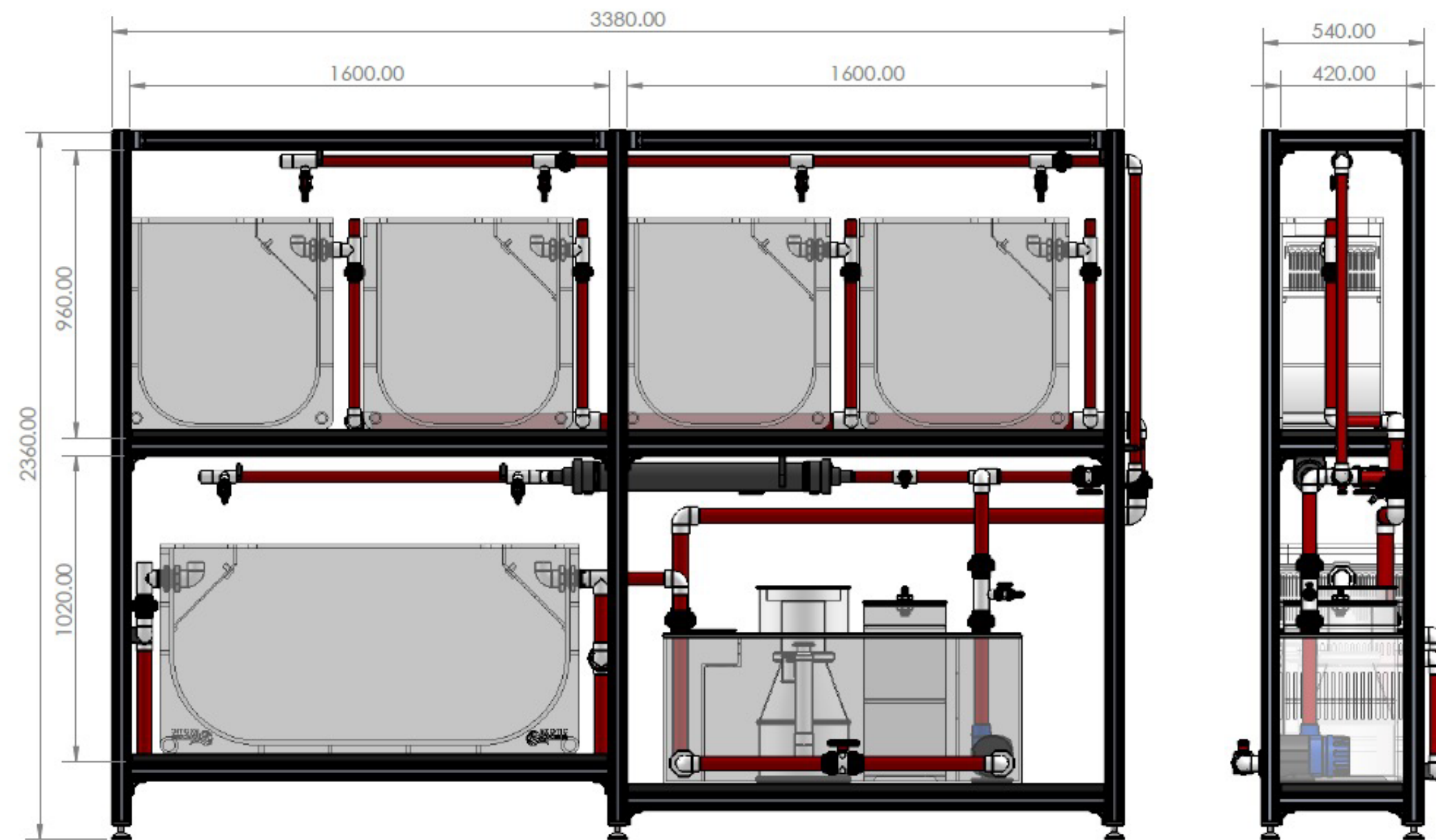
SPECIFICATION:

ITEM	DIMENSIONS (cm)	POWER (w)	UNIT VOLUME (l)
EA-JHT-60S	50 X 60 X 30	N/A	60
EA-JHT-120S	70 X 70 X 35	N/A	120
EA-JHT-350S	140 X 70 X 50	M/A	350
SUMP	120 X 50 X 50	N/A	200
TRICKLE BIO FILTER	40 X 35 X 80	N/A	85
PROTEIN SKIMMER	30 X 26 X 60	35	N/A
RETURN PUMP	17 X 14 X 19	150	20,000LPH
UV STERILIZER	100 X 12 X 18	40	N/A
TOTAL/ SYSTEM	3,480 X 540 X 2340	225	970

JELLYFISH CAPACITY:

ITEM	MOON JELLIES S (4-5CM) /TANK	MOON JELLIES M (7-10CM) /TANK	MOON JELLIES L (12-15CM) /TANK	SEA NETTLE S (3-4CM) /TANK	SEA NETTLE M (7-8CM) /TANK	SEA NETTLE L (12-15CM) /TANK	BLUBBER S (4-5CM) /TANK	BLUBBER L (6-7CM) /TANK
EA-JHT-60S	300	60	30	40	8	-	50	30
EA-JHT-120S	600	120	60	80	15	7	100	60
EA-JHT-350S	1500	350	160	200	40	20	300	180
TOTAL/ SYSTEM	3,600	770	370	480	94	34	650	390

JELLYFISH GROWOUT SYSTEM B



SET INCLUDES:

ITEM	QTY.	ITEM	QTY.
EA-JHT-120S	4	BAG FILTERS	3
EA-JHT-350S	1	UV STERILIZER	1
SUMP	1	ALUMINIUM STAND	1
TRICKLE BIO FILTER	1	FRP SHELVES	4
PROTEIN SKIMMER	1	SET OF PVC PIPES AND FITTINGS	1
RETURN PUMP	1		

SPECIFICATION:

ITEM	DIMENSIONS (cm)	POWER (w)	UNIT VOLUME (l)
EA-JHT-120S	70 X 70 X 35	N/A	120
EA-JHT-350S	140 X 70 X 50	M/A	350
SUMP	120 X 50 X 50	N/A	200
TRICKLE BIO FILTER	40 X 35 X 80	N/A	85
PROTEIN SKIMMER	30 X 26 X 60	35	N/A
RETURN PUMP	17 X 14 X 19	150	20,000LPH
UV STERILIZER	100 X 12 X 18	40	N/A
TOTAL/ SYSTEM	3,480 X 540 X 2340	225	1,030

JELLYFISH CAPACITY:

ITEM	MOON JELLIES S (4-5CM) /TANK	MOON JELLIES M (7-10CM) /TANK	MOON JELLIES L (12-15CM) /TANK	SEA NETTLE S (3-4CM) /TANK	SEA NETTLE M (7-8CM) /TANK	SEA NETTLE L (12-15CM) /TANK	BLUBBER S (4-5CM) /TANK	BLUBBER L (6-7CM) /TANK
EA-JHT-120S	600	120	60	80	15	7	100	60
EA-JHT-350S	1500	350	160	200	40	20	300	180
TOTAL/ SYSTEM	3,900	770	400	520	100	48	700	420

JELLYFISH DISPLAY AQUARIUMS

Exotic Aquaculture's jellyfish display aquariums are carefully designed to give a perfect environment for jellyfish to inhabit. The functional design makes them simple and easy for the jellyfish keepers to maintain and its structural design makes them robust and easy to handle. EA's kreisel aquariums are thoughtfully designed based on our deep understanding of jellyfish biology. They will guarantee the health of jellyfish, display the true beauty of jellyfish, and gives the simplest and easiest maintenance experience for the aquarists.



EXOTIC AQUACULTURE FULL KREISEL(EFK) AND STRETCHED KREISEL (ESK) SERIES

EA's EFK series are fully rounded kreisel aquariums with one circular flow (one spray bar), and ESK series are stretched kreisel aquariums with two circular flows (two spray bars). The spray bars are made by transparent acrylic and are integrated with the screens (grills) which keep the inhabitants away from the suction. Very simple and easy to setup, the spray bars come with tube connectors which connect to soft/hard tubes from the return lines. The drain holes come with bulkheads in appropriate sizes which connect to the drain lines from LSS.

EFK SERIES:



EFK-300



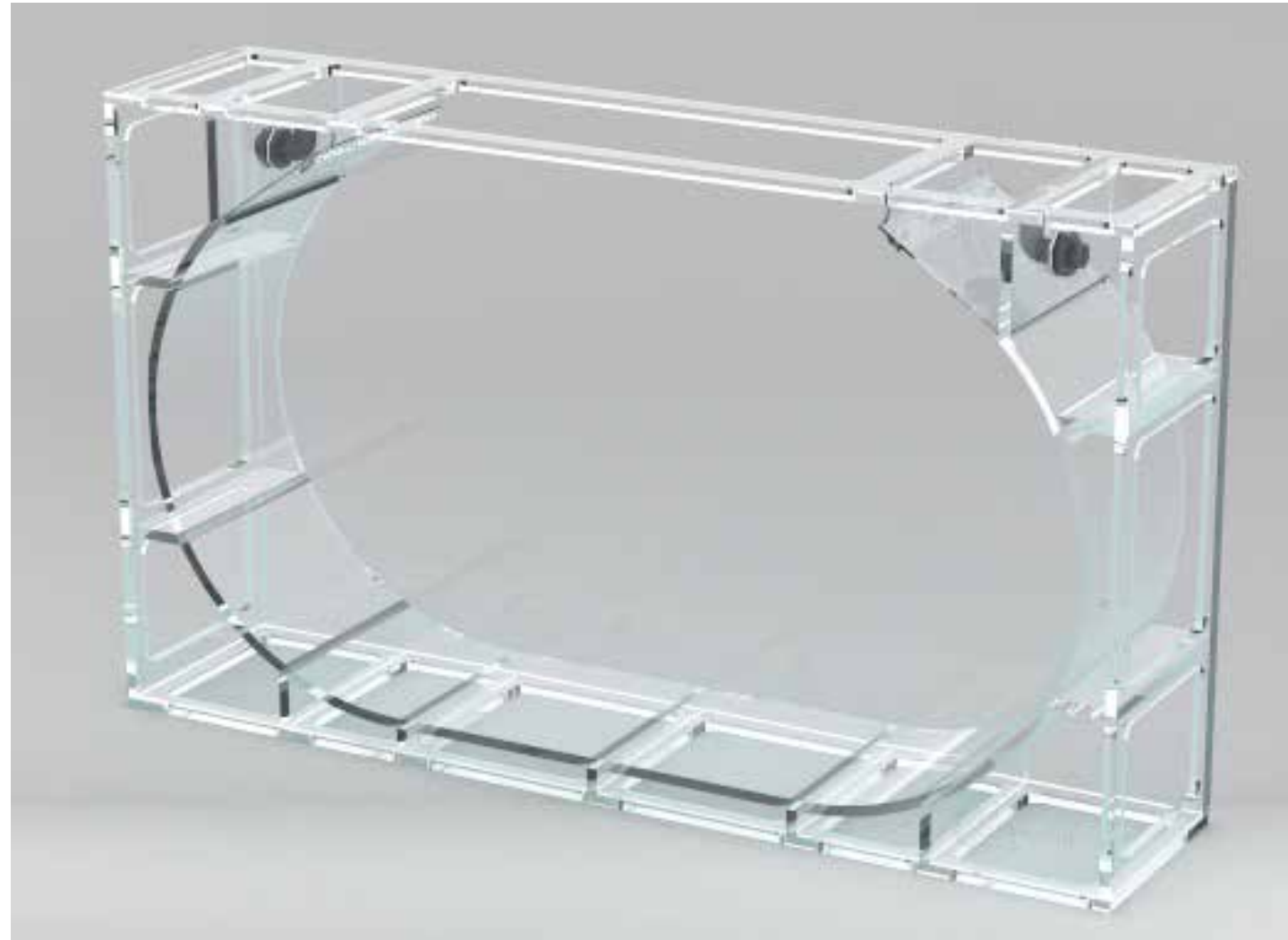
EFK-600



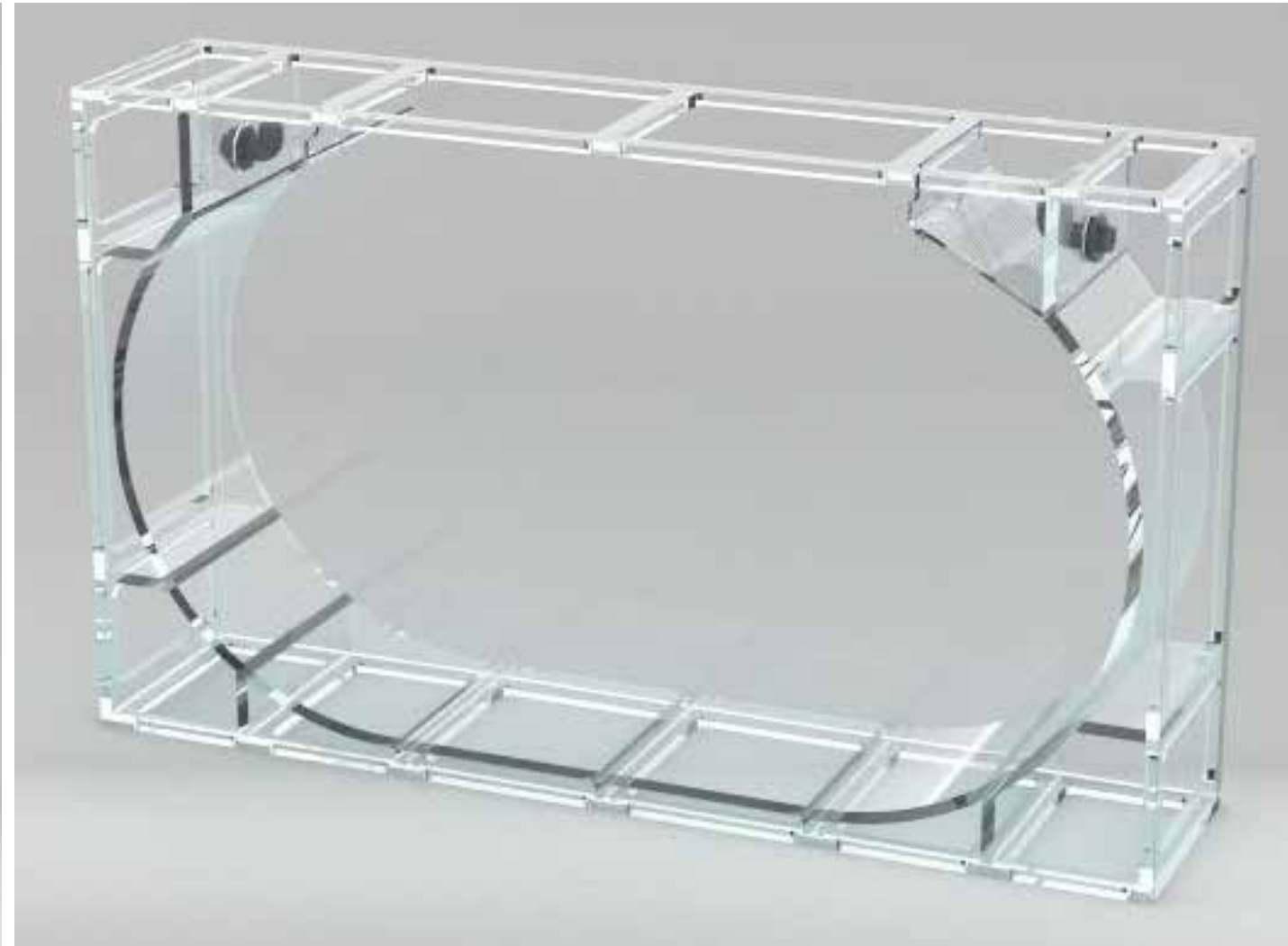
EFK-1200

MODEL	INTERNAL DIMENSIONS (Diameter/Depth, mm)	EXTERNAL DIMENSIONS (WxHxD, mm)	ACRYLIC THICKNESS (mm)	VOLUME (l)	TANK WEIGHT (kg)	WEIGHT WITH WATER (kg)
EFK-300	1000/350	1160 X 1200 X 390	20	280	110	390
EFK-600	1400/400	1550 X 1620 X 460	30	630	280	910
EFK-1200	1800/450	2060 X 2120 X 530	40	1170	600	1770

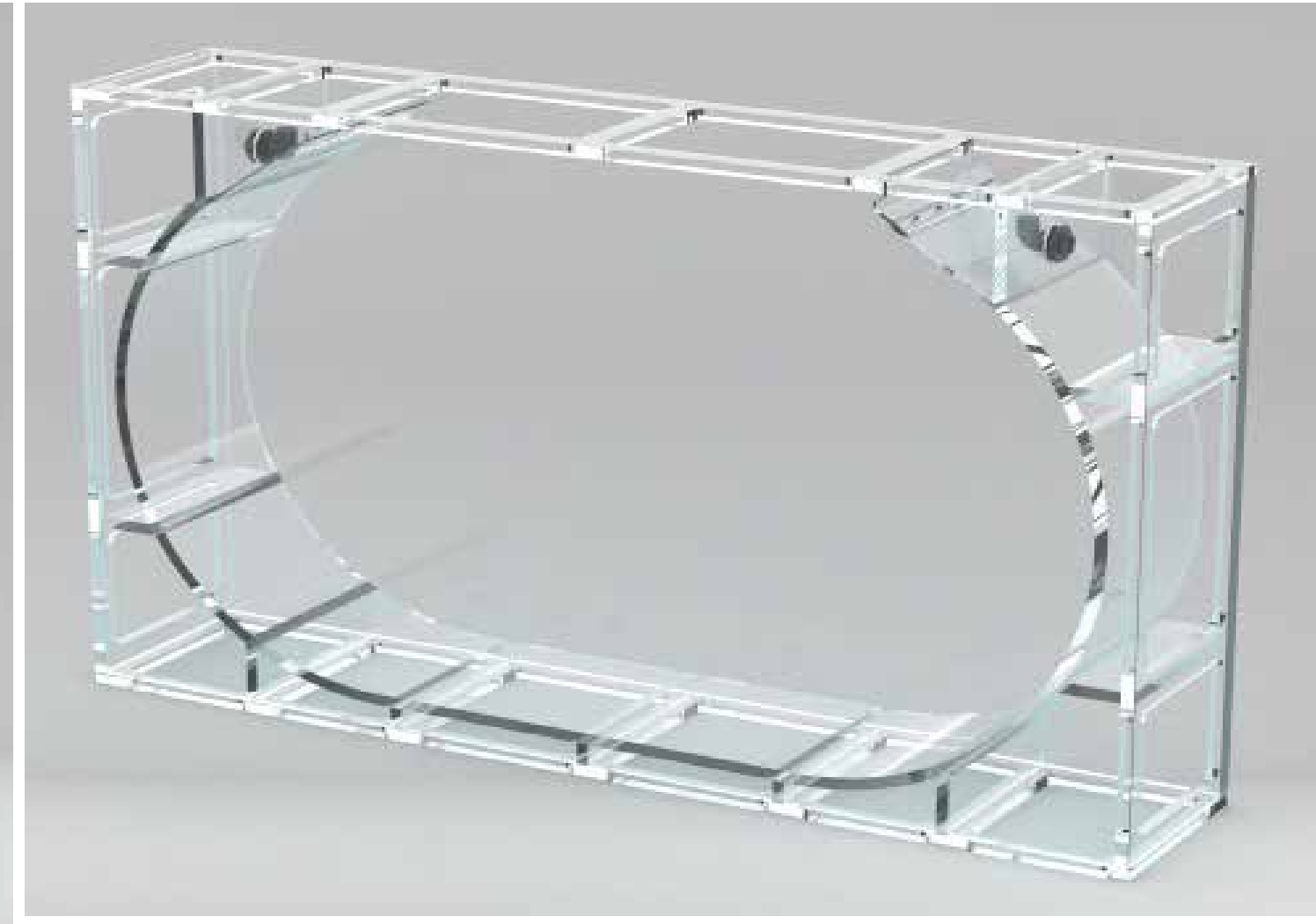
ESK SERIES:



ESK-600



ESK-900



ESK-1500

MODEL	INTERNAL DIMENSIONS (WxHxD, mm)	EXTERNAL DIMENSIONS (WxHxD, mm)	ACRYLIC THICKNESS (mm)	VOLUME (l)	TANK WEIGHT (kg)	WEIGHT WITH WATER (kg)
ESK-600	1800 X 1000 X 400	1970 X 1170 X 450	25	620	210	830
ESK-900	2100 X 1200 X 450	2260 X 1370 X 510	30	960	300	1260
ESK-1500	2500 X 1400 X 500	2740 X 1640 X 580	40	1520	630	2150

OUR CLIENTS

PUBLIC AQUARIUMS

NAME	COUNTRY
CUBE OCEANARIUM CHENGDU	CHINA
OCEAN PARK HK	HONG KONG
CUBE O DISCOVERY PARK	HONG KONG
ENOSHIMA AQUARIUM	JAPAN
AQUA PLANET	SOUTH KOREA
SEA LIFE BUSAN	SOUTH KOREA
LOTTE WORLD AQUARIUM	SOUTH KOREA
SEA LIFE MALAYSIA	MALAYSIA
RESORT WORLD SENTOSA	SINGAPORE
AQUARIA PHUKET	THAILAND
JAKARTA AQUARIUM	INDONESIA
SEA WORLD ANCOL	INDONESIA
MAURITIUS AQUARIUM	MAURITIUS
CAIRNS AQUARIUM	AUSTRALIA
SEA LIFE MELBOURNE	AUSTRALIA
SEA WORLD GOLD COAST	AUSTRALIA
TERRITORY WILDLIFE PARK	AUSTRALIA
SEA LIFE AUCKLAND	NEW ZEALAND
MARINE DISCOVERY CENTRE	MALDIVES
SEA LIFE LONDON	UK
THE DEEP	UK
AQUARIUM DE PARIS	FRANCE
BIARRITZ AQUARIUM	FRANCE
VALENCIA AQUARIUM	SPAIN

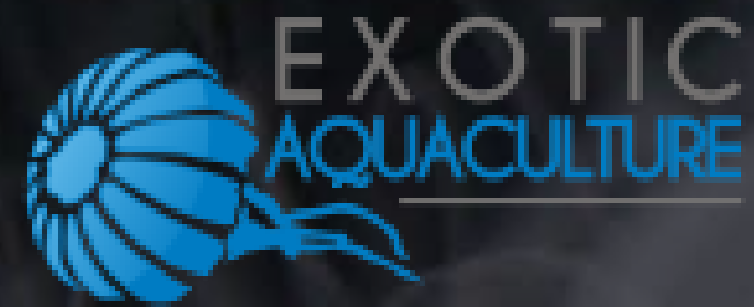
NAME	COUNTRY
AQUARIUM BARCELONA	SPAIN
AQUARIUM OF SEVILLE	SPAIN
PAIRO DAIZA	BELGIUM
THE WORLD OF JELLYFISH	CZECH REPUBLIC
RIPLEY'S TORONTO AQUARIUM	CANADA
AQUARIUM OF PACIFIC	USA
RIPLEY'S MYRTLE BEACH AQUARIUM	USA
NATIONAL AQUARIUM	USA
NC AQUARIUM PINE KNOLL SHORES	USA
NC AQUARIUM PORT FISHER	USA
MONTREY BAY AQUARIUM	USA
AMERICAN MUSEUM OF NATURAL HISTORY	USA
AQUARIUM OF BROADWALK	USA
VIRGINIA LIVING MUSEUM	USA
WONDER OF WILDLIFE	USA
NATIONAL AQUARIUM	SAUDI ARABIA
FAKIEH AQUARIUM	SAUDI ARABIA
DUBAI AQUARIUM	UAE
ATLANTIS THE PALM	UAE
KUWAIT SCIENCE CENTRE	KUWAIT
OMAN AQUARIUM	OMAN
ISRAEL AQUARIUM	ISRAEL
PRIMORKY AQUARIUM	RUSSIA
JELLYFISH MUSEUM	UKRAINE

AQUARIUM/LIVESTOCK WHOLESALE AND DEALERS

NAME	COUNTRY
AQUASENTINEL VENTURES	MALAYSIA
ISC AQUACULTURE TECHNOLOGY LIMITED	HONG KONG
IZU CHUO AQUA TRADING	JAPAN
REEF SYSTEM & SERVICES	SINGAPORE
SCHURAN ASIA	SINGAPORE
COMEYONG INTERNATIONAL	SOUTH KOREA
JELLYFISH LAB	SOUTH KOREA
HAI KONG INTERNATIONAL CORP	TAIWAN
AQUAWALK	THAILAND
COMMERCIALAND	NEW CALEDONIA
AQUARIUM INDUSTRIES	AUSTRALIA
AQUA DEPOT AUSTRALIA	AUSTRALIA
JELLYFISH CONCEPT	FRANCE
INTERNATIONAL CONCEPT MGMT	USA
SEA DWELLING CREATURES	USA
CONSISTENT SEA INC	USA
BLUECORAL	UAE
THINK FISH	UAE
RED SEA AQUARIUM	SAUDI ARABIA
AQUARIUM SERVICE KAZAKHSTAN	KAZAKHSTAN

UNIVERSITY/ RESEARCH INSTITUTE

NAME	COUNTRY
CHINESE UNIVERSITY OF HONG KONG	HONG KONG
CITY UNIVERSITY OF HONG KONG	HONG KONG
THE HONG KONG UNIVERSITY OF SCIENCE AND TECHNOLOGY	HONG KONG
OKINAWA INSTITUTE OF SCIENCE AND TECHNOLOGY	JAPAN
SOKA UNIVERSITY	JAPAN
KITAZATO UNIVERSITY	JAPAN
DEAKIN UNIVERSITY	AUSTRALIA
JAMES COOK UNIVERSITY	AUSTRALIA
AUSTRALIAN ANTARCTIC DIVISION	AUSTRALIA
NORWAY INSTITUTE OF MARINE RESEARCH	NORWAY
UNIVERSITY OF GDANSK	POLAND
UNIVERSITY OF EXETER	UK
TEXAS A&M UNIVERSITY AT GALVESTON	USA
MASSACHUSETTS INSTITUTE OF TECHNOLOGY	USA
MINNESOTA STATE UNIVERSITY	USA
CALIFORNIA INSTITUTE OF TECHNOLOGY	USA
HARVARD MEDICAL SCHOOL	USA
UNIVERSITY OF FLORIDA	USA
MARIA MITCHELL ASSOCIATION	USA
DLNR HAWAII	USA
WRIGLEY MARINE SCIENCE CENTER	USA
ANTOFAGASTA UNIVERSITY	CHILE



w. www.exotic-aqua.com

e. info@exotic-aqua.com

a. Unit A3, 5/F, Vita Tower, 29 Wong Chuk Hang Road, Wong Chuk Hang, Hong Kong

 www.facebook.com/jellyfishculture

 www.instagram.com/exoticaquaculture/

 twitter.com/Exotic_aqua

 www.youtube.com/c/ExoticAquaculture

Exotic Aquaculture • 2024